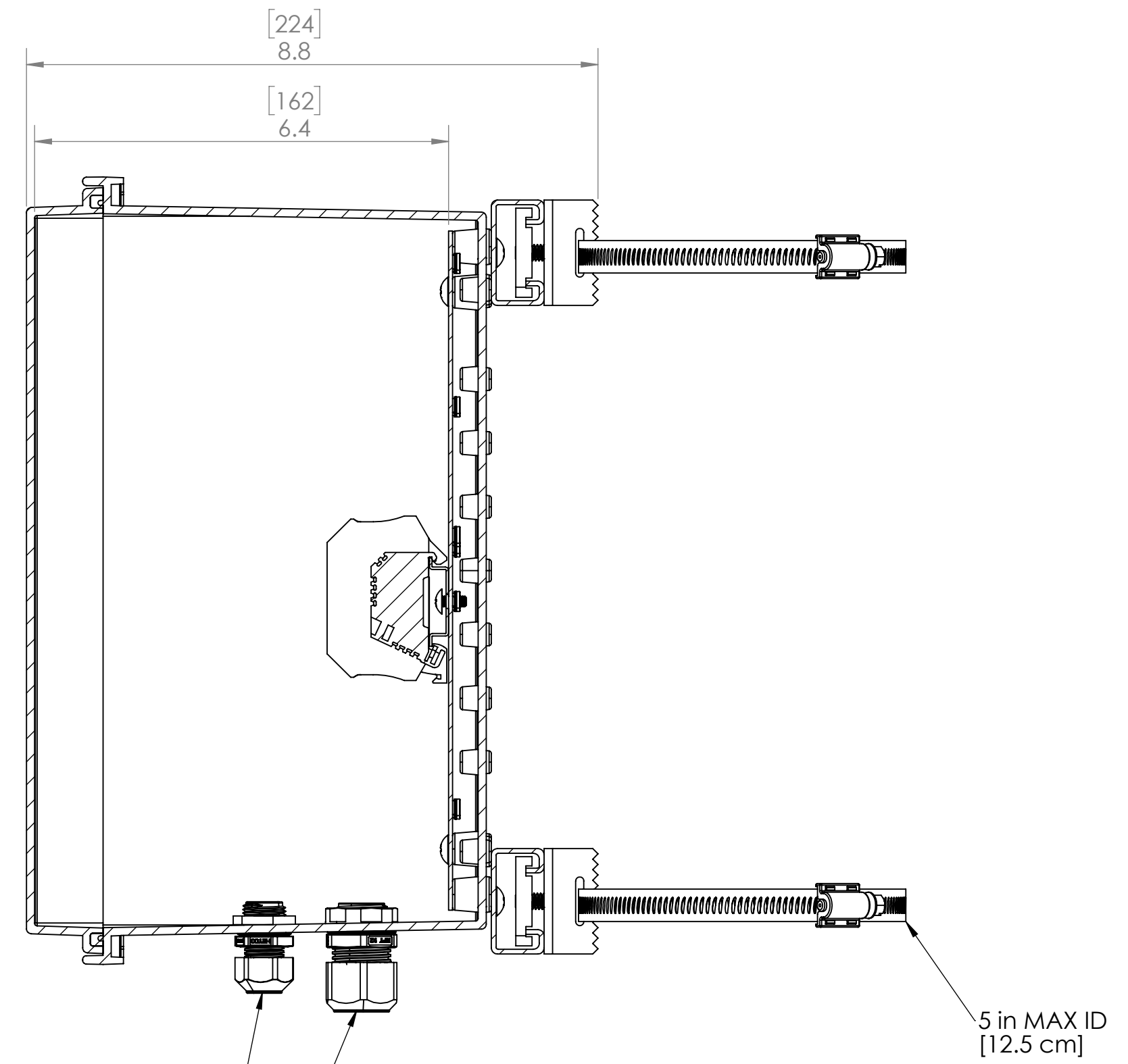
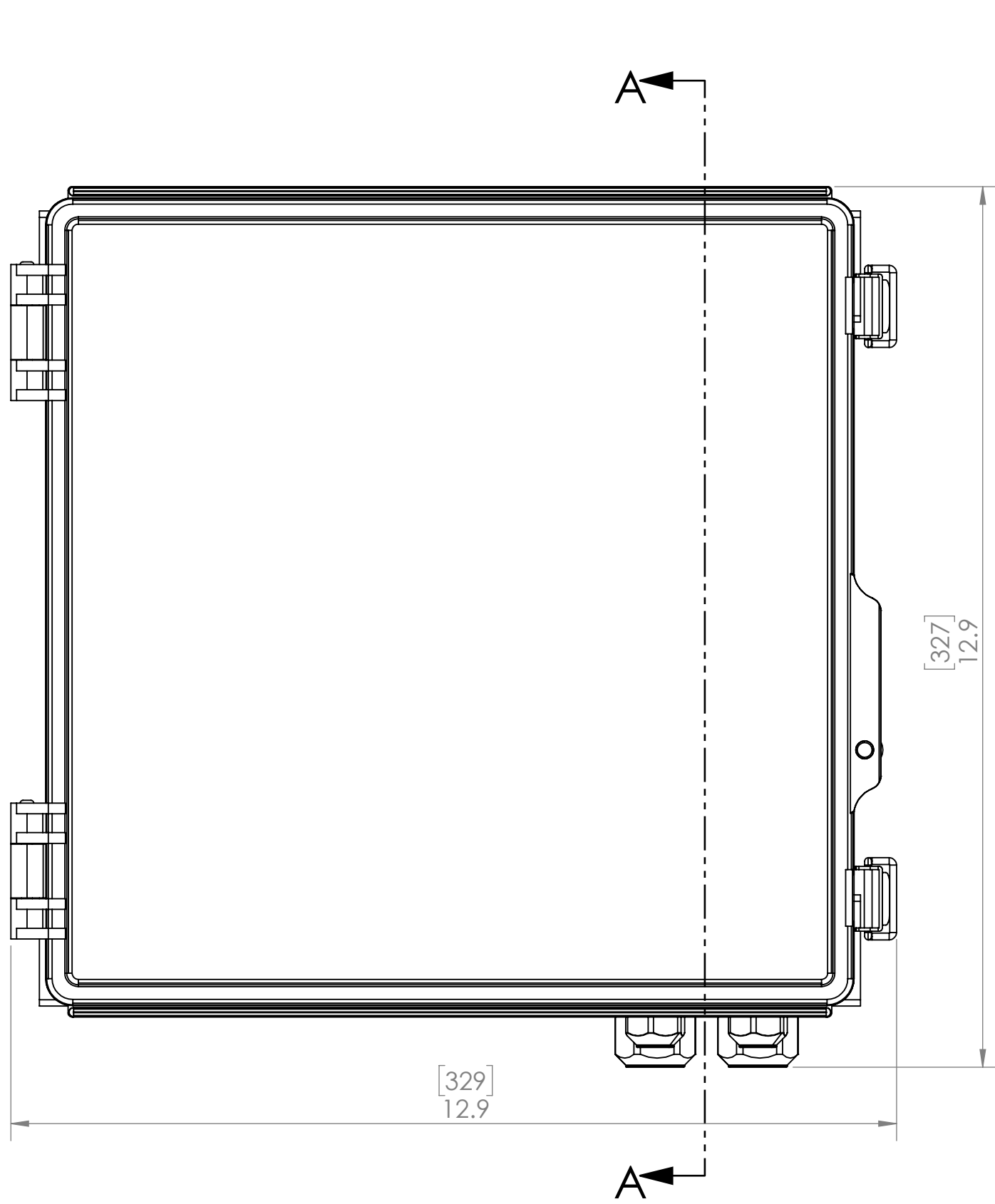


REVISIONS			
REV.	DESCRIPTION	DATE	APPROVED
A	INITIAL RELEASE	10/11/2022	S. BLODGETT
B1	CHG 2PCS LARGE GLAND	6/12/2023	S.BLODGETT
B2	ADD SOLAR EQUIPMENT INFO	9/11/2023	S. BLODGETT
B3	ADD INTERNAL DIMENSIONS	12/12/2023	S. BLODGETT



SECTION A-A

2x CABLE GLAND  
ID: 0.105 to 0.315 in  
[2.7-8.0 mm]

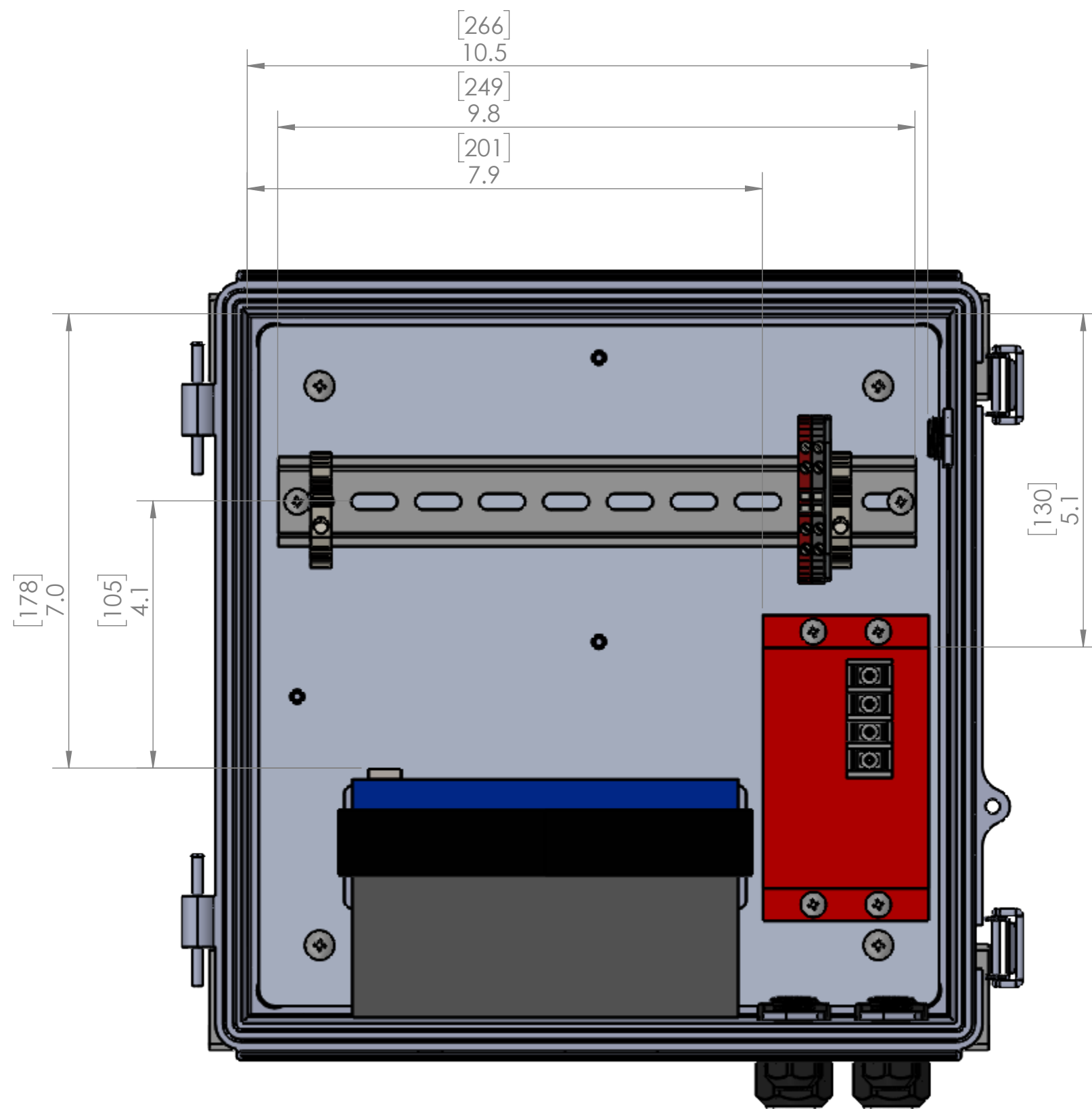
(B1) 2x CABLE GLAND  
ID: 0.180 to 0.400 in  
[4.6-10.2 mm]

5 in MAX ID  
[12.5 cm]

**PROPRIETARY AND CONFIDENTIAL**  
THE INFORMATION CONTAINED IN THIS DRAWING IS THE SOLE PROPERTY OF SIGNALFIRE TELEMETRY. ANY REPRODUCTION IN PART OR AS A WHOLE WITHOUT THE WRITTEN PERMISSION OF SIGNALFIRE TELEMETRY IS PROHIBITED.

UNLESS OTHERWISE SPECIFIED:	NAME	DATE
DIMENSIONS ARE IN INCHES	DRAWN	S.BLODGETT 5/1/2019
TOLERANCES:	CHECKED	
FRACTIONAL ± 1/64	ENG APPR.	
ANGULAR: MACH: 1° BEND ± 1/2°	MFG APPR.	
TWO PLACE DECIMAL ± .01	Q.A.	
THREE PLACE DECIMAL ± .005	COMMENTS:	
INTERPRET GEOMETRIC TOLERANCING PER:		
MATERIAL		
FINISH		
DO NOT SCALE DRAWING		

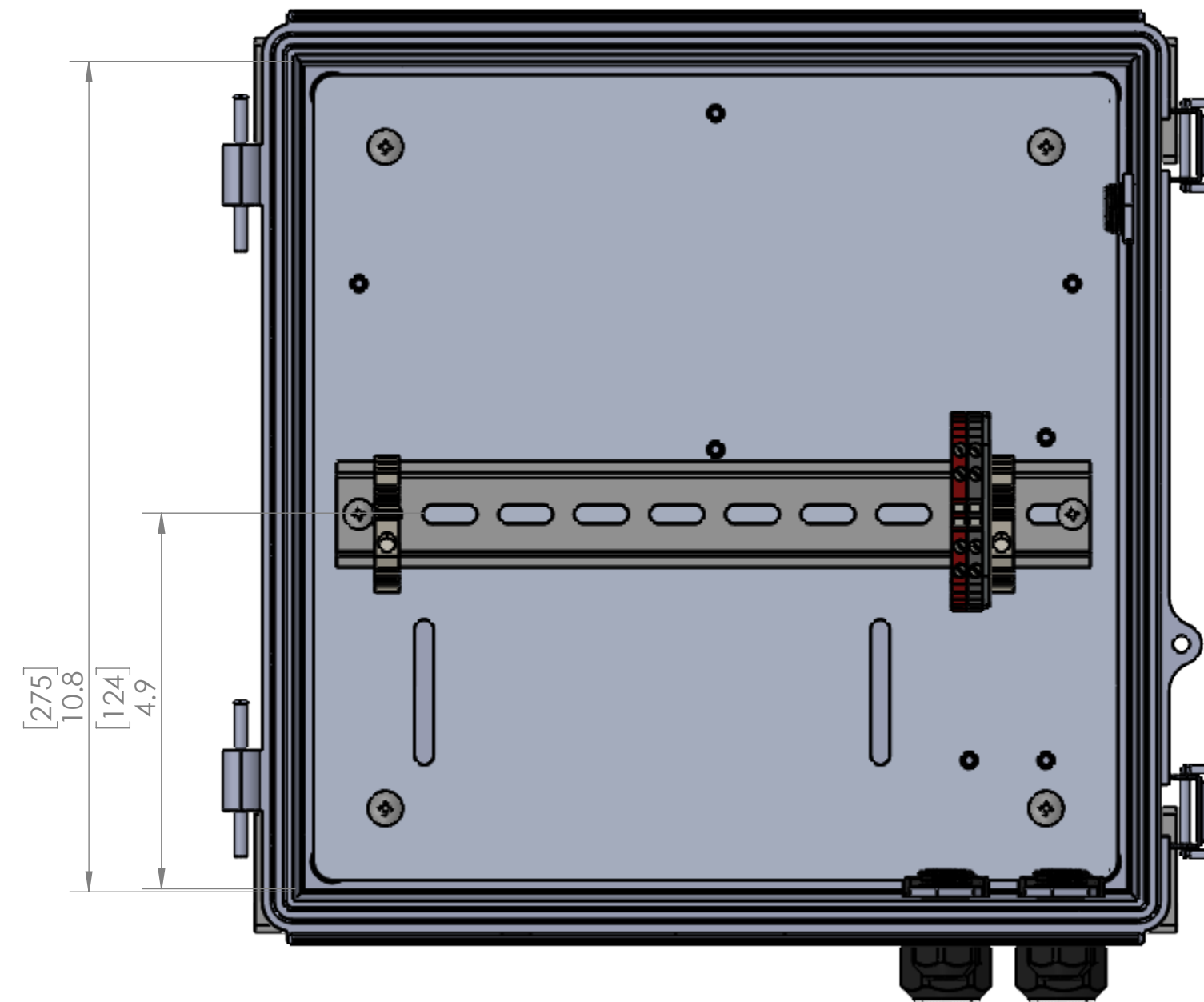
SignalFire Telemetry	
TITLE: EnclosureKit1	
DWG. NO. 965-0049-01	REV B3
SCALE 1:2	SHEET 1 OF 2



### EnclosureKit1-Solar

Solar Equipment Minimum Ratings*	
Solar Panel	12V, 10W
	17x12x2in [430x300*50mm]
Solar Cable	15 Feet [4.5m]
Solar Bracket	Included
AGM Battery	12V, 12AH
Charger	PWM, 4A

\*Specific equipment subject to vendor availability



### EnclosureKit1-DC

UNLESS OTHERWISE SPECIFIED:		NAME	DATE	SignalFire Telemetry	
DIMENSIONS ARE IN INCHES		DRAWN	S.BLODGETT	5/1/2019	TITLE: <b>EnclosureKit1</b>
TOLERANCES:		CHECKED			
FRACTIONAL ± 1/64		ENG APPR.			
ANGULAR: MACH ± 1/2°		MFG APPR.			
TWO PLACE DECIMAL ± .01		Q.A.			DWG. NO. 965-0049-01
THREE PLACE DECIMAL ± .005		COMMENTS:			
INTERPRET GEOMETRIC TOLERANCING PER:					
MATERIAL					
FINISH					
DO NOT SCALE DRAWING					
<p><b>PROPRIETARY AND CONFIDENTIAL</b> THE INFORMATION CONTAINED IN THIS DRAWING IS THE SOLE PROPERTY OF SIGNALFIRE TELEMETRY. ANY REPRODUCTION IN PART OR AS A WHOLE WITHOUT THE WRITTEN PERMISSION OF SIGNALFIRE TELEMETRY IS PROHIBITED.</p>		SCALE 1:2		SHEET 2 OF 2	