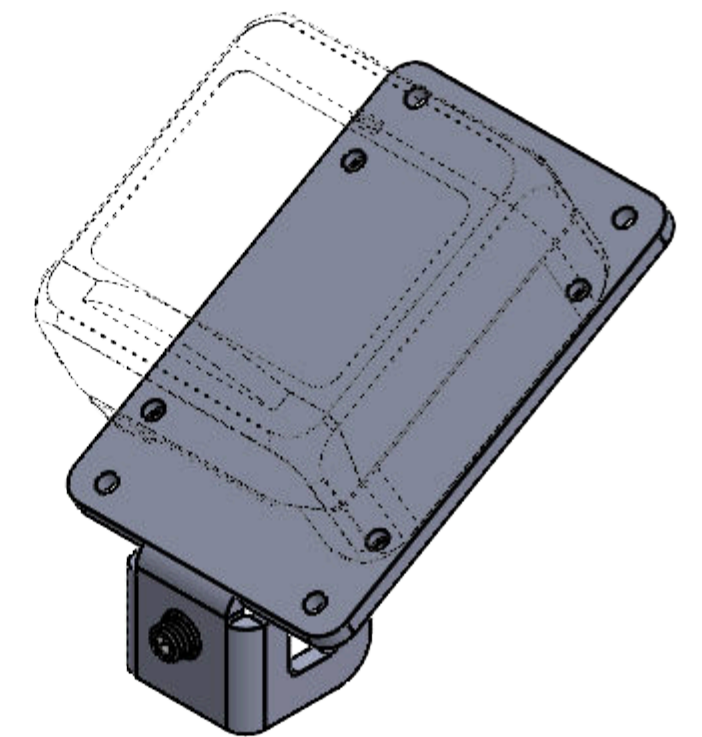
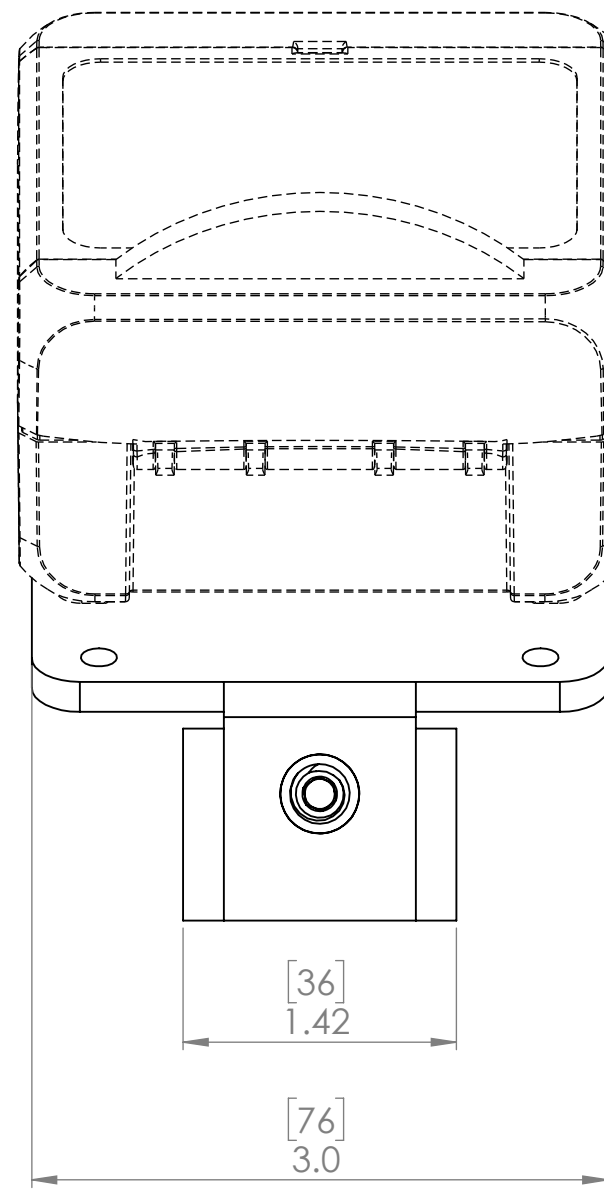
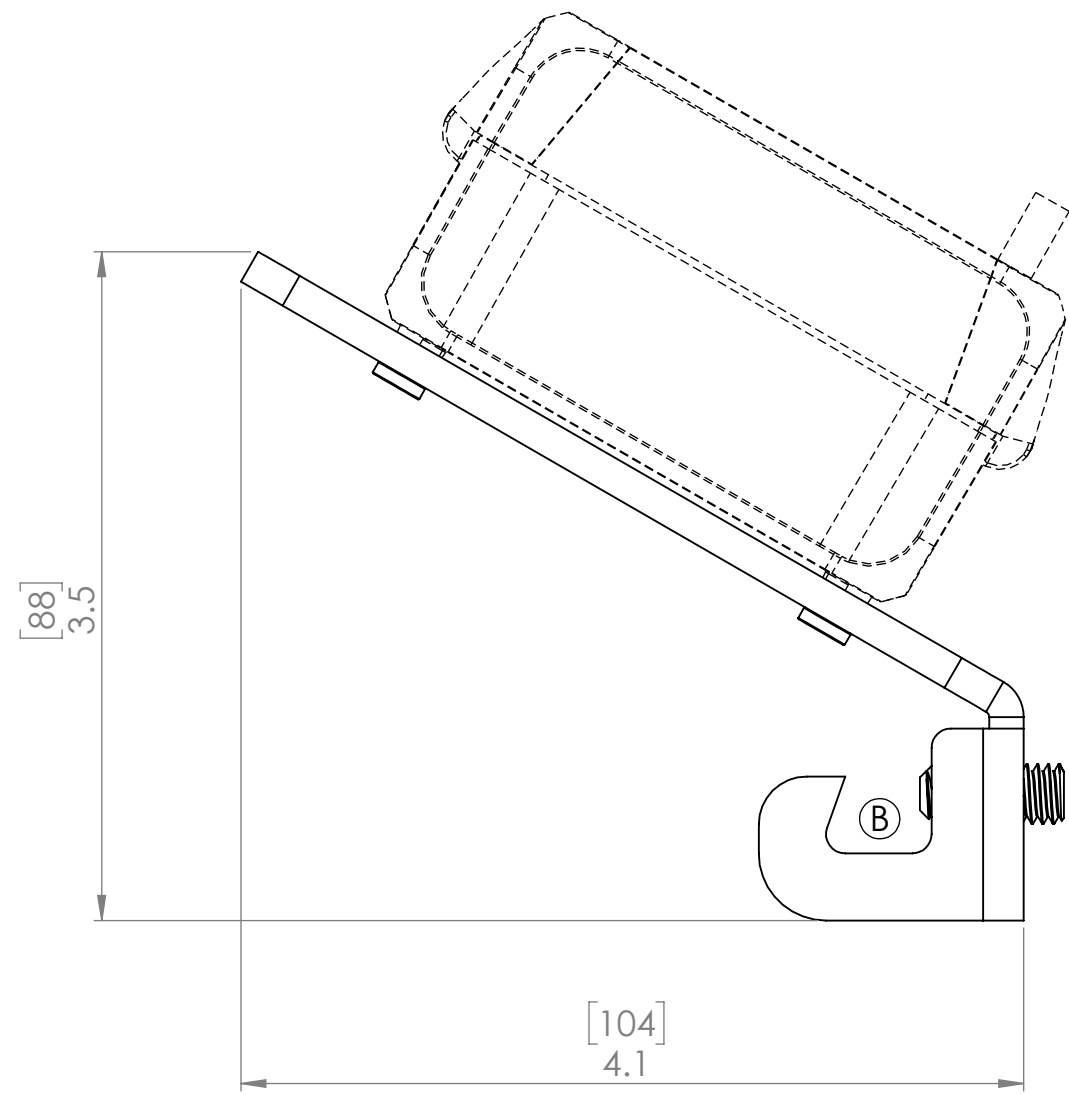


REVISIONS			
REV.	DESCRIPTION	DATE	APPROVED
A	Initial Release	6/1/2021	S. BLODGETT
B	CHG CLAMP	9/26/2023	S. BLODGETT



Order Code: TiltScoutAccessory-TILTCLAMPMT

PROPRIETARY AND CONFIDENTIAL
 THE INFORMATION CONTAINED IN THIS DRAWING IS THE SOLE PROPERTY OF SIGNALFIRE TELEMTRY. ANY REPRODUCTION IN PART OR AS A WHOLE WITHOUT THE WRITTEN PERMISSION OF SIGNALFIRE TELEMTRY IS PROHIBITED.

UNLESS OTHERWISE SPECIFIED:	NAME	DATE
DIMENSIONS ARE IN INCHES	DRAWN	S.BLODGETT 5/1/2019
TOLERANCES:	CHECKED	
FRACTIONAL $\pm 1/64$	ENG APPR.	
ANGULAR: MACH: $\pm 1/2^\circ$	MFG APPR.	
TWO PLACE DECIMAL $\pm .01$	Q.A.	
THREE PLACE DECIMAL $\pm .005$	COMMENTS:	
INTERPRET GEOMETRIC TOLERANCING PER:		
MATERIAL		
FINISH		
DO NOT SCALE DRAWING		

SignalFire Telemetry	
TITLE: Bracket, Tilt Scout, Clamp	
DWG. NO. 965-0037-01	REV B
SCALE 1:1	SHEET 1 OF 1