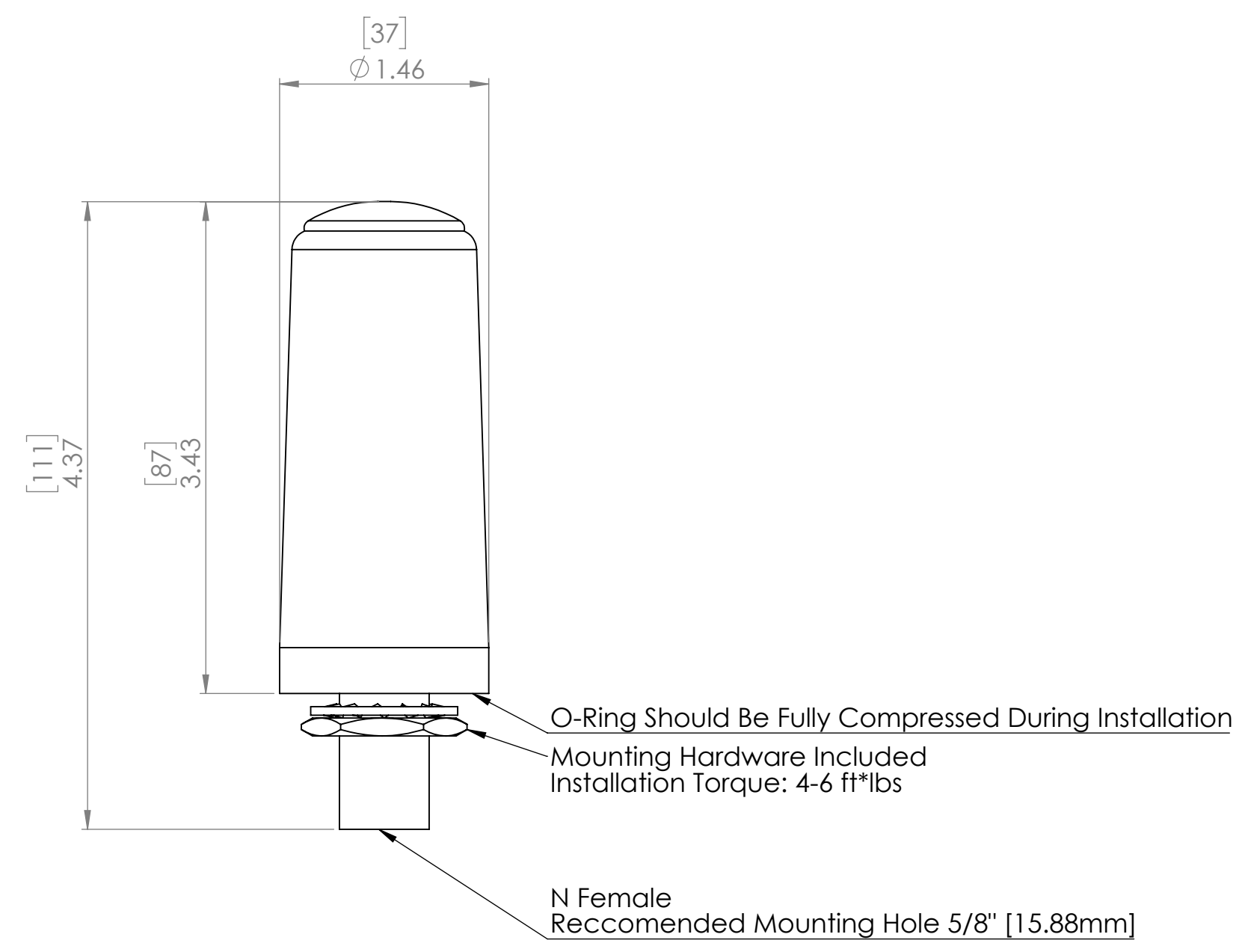


REVISIONS				
ZONE	REV.	DESCRIPTION	DATE	APPROVED
	A	INITIAL RELEASE	3/30/23	S. BLODGETT



Specifications				
Order code	ANT-LTE-PM-1M			
Frequency	698 - 806 MHz	806 - 960 MHz	1710 - 1990 MHz	1990 - 2700 MHz
Peak Gain (dBi)	0	0	1.7	2.9
V.S.W.R.	<2.5	<2.0	<2.0	<2.0
Impedence	50 OHM			
Material	Lexan, Black or White			
Cable	RG316, 1 meter			
Connector	N-type (Female) to Right Angle SMA Male			

<p>PROPRIETARY AND CONFIDENTIAL THE INFORMATION CONTAINED IN THIS DRAWING IS THE SOLE PROPERTY OF SIGNALFIRE TELEMETRY. ANY REPRODUCTION IN PART OR AS A WHOLE WITHOUT THE WRITTEN PERMISSION OF SIGNALFIRE TELEMETRY IS PROHIBITED.</p>	UNLESS OTHERWISE SPECIFIED:	NAME	DATE	<p>SignalFire Telemetry</p> <p>TITLE: Antenna, LTE, Panel Mount Kit</p> <p>DWG. NO. 965-0050-01</p> <p>SCALE 1:1</p>
	DIMENSIONS ARE IN INCHES	DRAWN	S.BLODGETT 5/1/2019	
	TOLERANCES: FRACTIONAL $\pm 1/64$ ANGULAR: MACH: $\pm 1/2^\circ$ TWO PLACE DECIMAL $\pm .01$ THREE PLACE DECIMAL $\pm .005$	CHECKED		
	INTERPRET GEOMETRIC TOLERANCING PER:	ENG APPR.		
	MATERIAL	MFG APPR.		<p>REV A</p> <p>SHEET 1 OF 1</p>
	FINISH	COMMENTS:		
	DO NOT SCALE DRAWING			