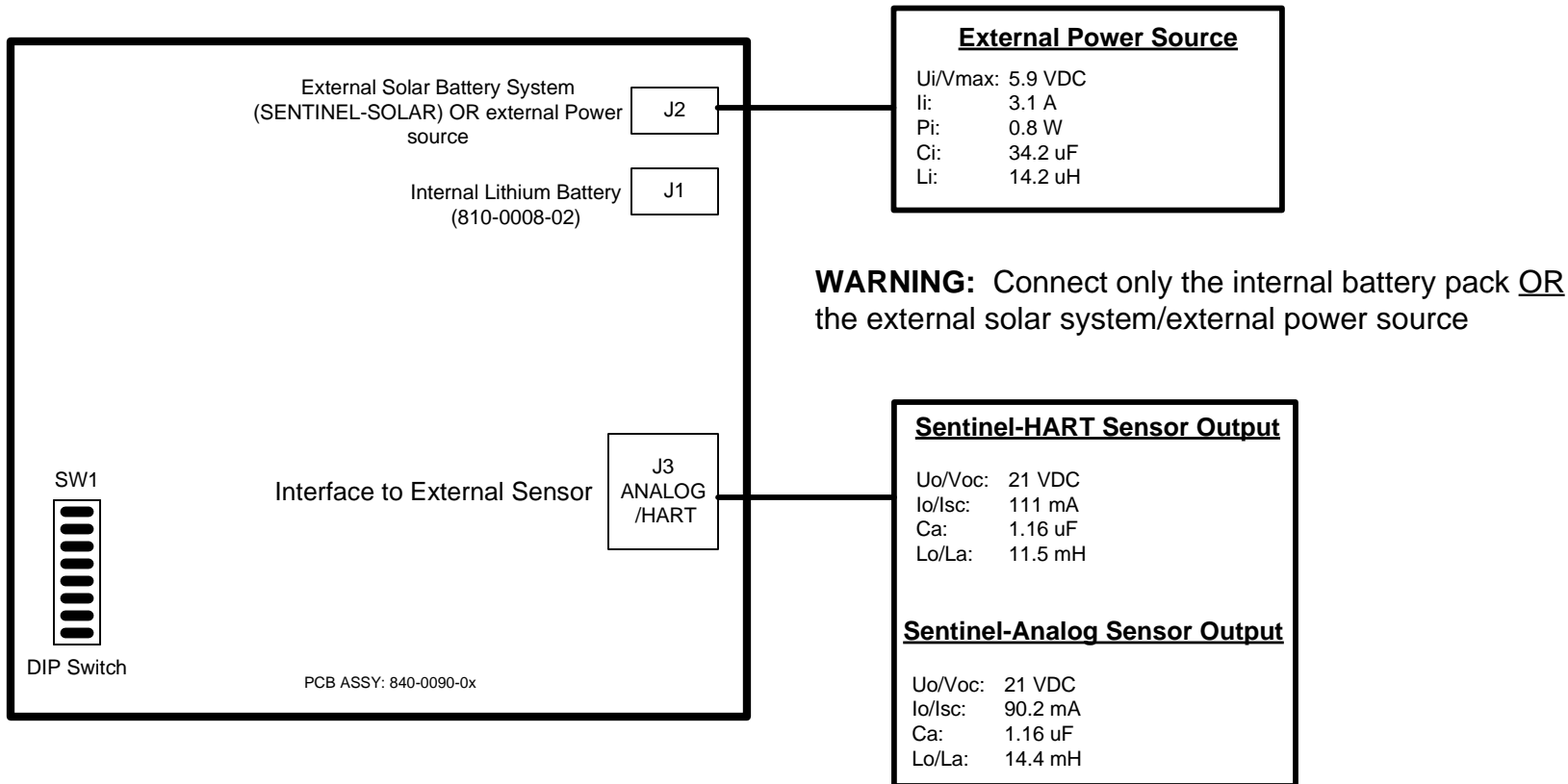


SignalFire Sentinel HART/Analog Interface

Models: Sentinel-HART-XXXX and Sentinel-ANALOG-XXXX



Class I, Division 1, Groups C and D

Ambient Temperature Limit: -40C to +60C
Temperature Code: T3

• **WARNING:** Substitution of components may impair intrinsic safety.

• Choose peripheral devices and associated apparatuses such that the following conditions are met:

- $U_i/V_{max} \geq U_o/V_{oc}$
- $I_i/I_{max} \geq I_o/I_{sc}$
- $P_i \geq P_o$
- $C_o/C_a \geq C_i + C_{cable}$
- $L_o/L_a \geq L_i + L_{cable}$

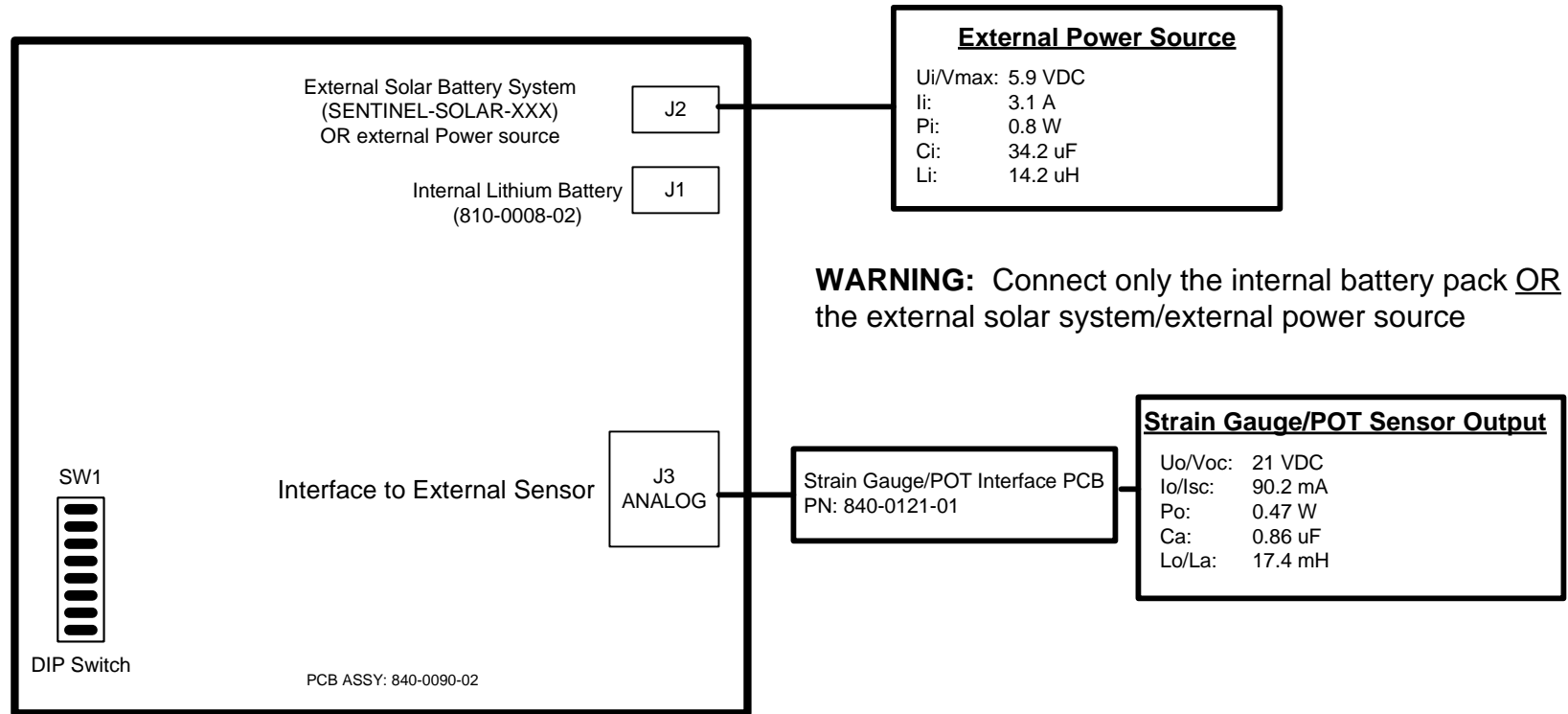
- **When replacing the internal battery, only use SignalFire lithium battery model number 810-0008-02**
- **See SignalFire Instruction manuals numbers 960-0031-01/960-0032-01 for installation requirements**
- **Install the internal battery pack only when external power is not used**

SignalFire Telemetry

Part Name	Control Drawing, SFT C1D1 HART Analog System	Date	1/2/24
Part Number	960-0026-01	Rev	2.4

SignalFire Sentinel Analog with Strain Gauge/POT Interface

Models: Sentinel-StrainGauge-XXX and Sentinel-POT-XXX



SignalFire Telemetry

Part Name Control Drawing, Sentinel Analog with Strain Gauge/POT Interface Date 1/2/21

Part Number 960-0026-01 Rev 2.4

Page 2 of 2

Class I, Division 1, Groups C and D

Ambient Temperature Limit: -40C to +60C
Temperature Code: T3

• WARNING: Substitution of components may impair intrinsic safety.

• Choose peripheral devices and associated apparatuses such that the following conditions are met:

$U_i/V_{max} \geq U_o/V_{oc}$

$i_i/I_{max} \geq I_o/I_{sc}$

$P_i \geq P_o$

$C_o/C_a \geq C_i + C_{cable}$

$L_o/L_a \geq L_i + L_{cable}$

• When replacing the internal battery, only use SignalFire lithium battery model number 810-0008-02

• See SignalFire Instruction manuals numbers 960-0064-01/960-0066-01 for installation requirements

• Install the internal battery pack only when external power is not used