

# PRESSURE RANGER

LTE-M/NB-IoT Cellular Pressure Transmitter



CLASS 1 DIVISION 2 CERTIFIED

PLUG-&-PLAY, INSTANT CONNECTIVITY OF PRESSURE SENSOR TO THE CLOUD OVER CELLULAR NETWORKS

OPTIMIZED FOR BATTERY LIFE USING LATEST CELL MODEM TECHNOLOGY LTE CAT M1/NB-IOT

UTILIZES MQTT/SPARKPLUG-B COMMUNICATION FOR EASY INTEGRATION INTO THIRD-PARTY HOSTS

## FEATURES

- LTE CAT M1/NB-IoT connectivity to cloud services
- Integrated pressure sensor
- Data location from built-in GPS
- SignalFire cloud monitoring/alarming service
- Integrated sensor allows rapid data collection and report on exception
- Reports max, min, average and instantaneous pressure

## PRESSURE SENSOR

### PERFORMANCE AT 77°F / 25°C

**Accuracy:** ±0.25% BFS

**Stability (1 year):** ±0.25% FS, typical

**Over Range Protection:** 2X Rated Pressure, Minimum

**Burst Pressure:** 5X or 40,000 PSI (whichever is less)

**Pressure Cycles:** >100 Million

**Process Connection:** 1/2" NPTM 316L Stainless Steel

Standard, F250C Autoclave for pressure >10,000 psi

Other process connections/material available

**Standard Pressure Ranges:** 0-100 psi, 0-500 psi, 0-1000 psi,

0-3000 psi, 0-5000 psi, 0-10,000 psi, 0-15,000 psi, 20,000 psi

**Low Pressure Ranges:** 0-2 psi, 0-20 psi

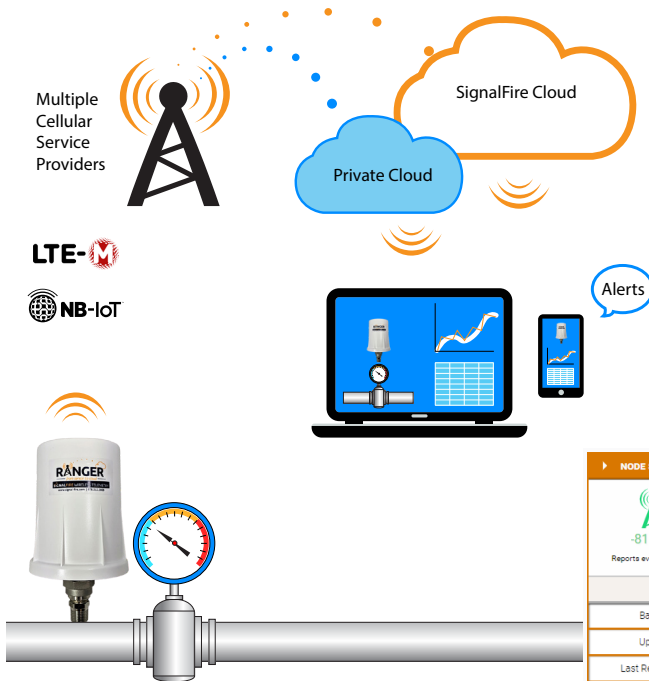
### THERMAL LIMITS

**Operating Range:** -40 to +176°F (-40 to +80°C)

**Compensated Range:** 32 to +131°F (0 to 55°C)

**TC Zero:** ±1.5% of FS

**TC Span:** ±1.5% of FS



| NODE STATUS   | PRESSURE SENSOR 1 (PRESS1)   | GPS  |
|---|--|--|
| <p><b>ONLINE</b></p> <p>-81 dBm<br/>Reports every 5 minutes</p> <p>Pressure Ranger</p> <p>Battery: 3.62 V    Temp: 79 °F</p> <p>Uptime: 1 hour 1 minute 8 seconds</p> <p>Last Report: 2020-09-17 04:02:33 PM</p> <p>Online Since: 2020-09-17 03:04:44 PM</p> <p>Carrier Info: VzW (3B02)    SIV Ver: v0.1.9-25-gd781be6-3v</p> <p>Expiration: 2021-08-05 (321 days)</p> | <p>Reading: -19.41 psi    Sample Interval: 5 ms</p> <p>Avg: -19.88 psi    Max: -18.83 psi    Min: -20.92 psi</p> <p>Scale Units: psi    Scale: 0-1,000 psi</p> <p>Low Alarm: &lt; 0 psi (Disabled)</p> <p>High Alarm: &gt; 15 psi (Disabled)</p> | <p>Location at 2020-09-17 16:03:26</p> <p>Coordinates: 42° 20' 58" N 71° 34' 53" W</p> <p>Auto Trigger: Manual</p> |

# PRESSURE RANGER

LTE-M/NB-IoT Cellular Pressure Transmitter

## TECHNICAL SPECIFICATIONS

### Operating Temp:

-40 to +176°F (-40°C to 80°C)

**Humidity:** 0% - 100% condensing

**Power:** Four D Cell Lithium battery pack. Field replaceable.

**Battery Life:** 5+ years with a 5 minute report interval

**Data Interface:** LTE CAT M1/NB-IoT MQTT with SparkPlug B

### Data Transmission:

- Report interval 1 min to 12 hrs (min, max, avg, actual)

- Configurable report on exception threshold.
- Configurable sampling as fast as every 5 seconds.

**Cellular Radio Power:** 23dBm

**Antenna Type:** LTE w/ Internal GPS

**Enclosure:** Industrial polycarbonate UV Rated; IP67

**Safety Rating:** Class 1 Division 2 Certified, Groups A, B, C, D. Temperature Code T5. Certified to CSA C22.2 No. 213:2017, Conforms to UL 121201:2017, CE Approved

**Local Micro-USB Configuration Port**

**Weight:** 2 lbs (910 g)

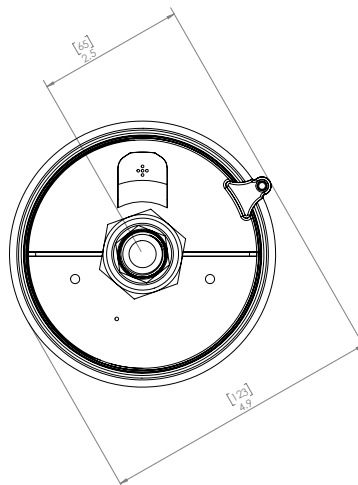
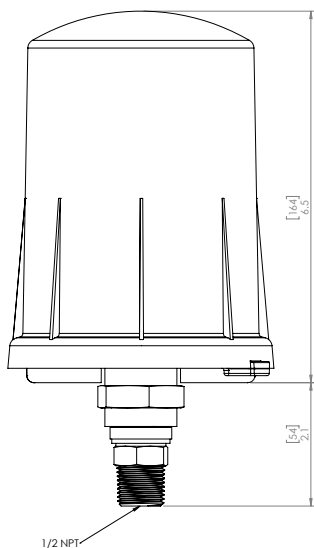
**Estimated Monthly Data Usage:**

Check-in interval dependent

- 30 sec = 54 MB
- 1 min = 27 MB
- 5 min = 5.4 MB
- 15 min = 1.08 MB
- 60 min = 0.27 MB



## DIMENSIONS



# PRESSURE RANGER

LTE-M/NB-IoT Cellular Pressure Transmitter

## HOW TO ORDER

