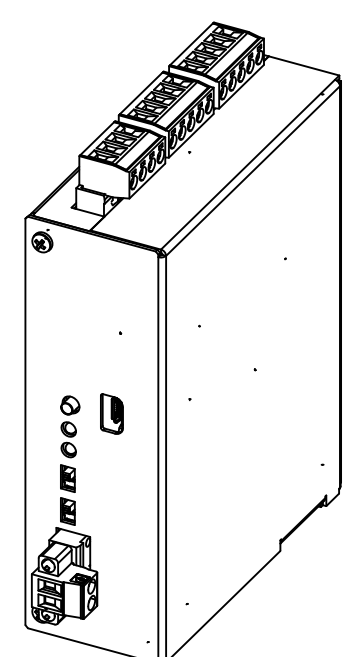
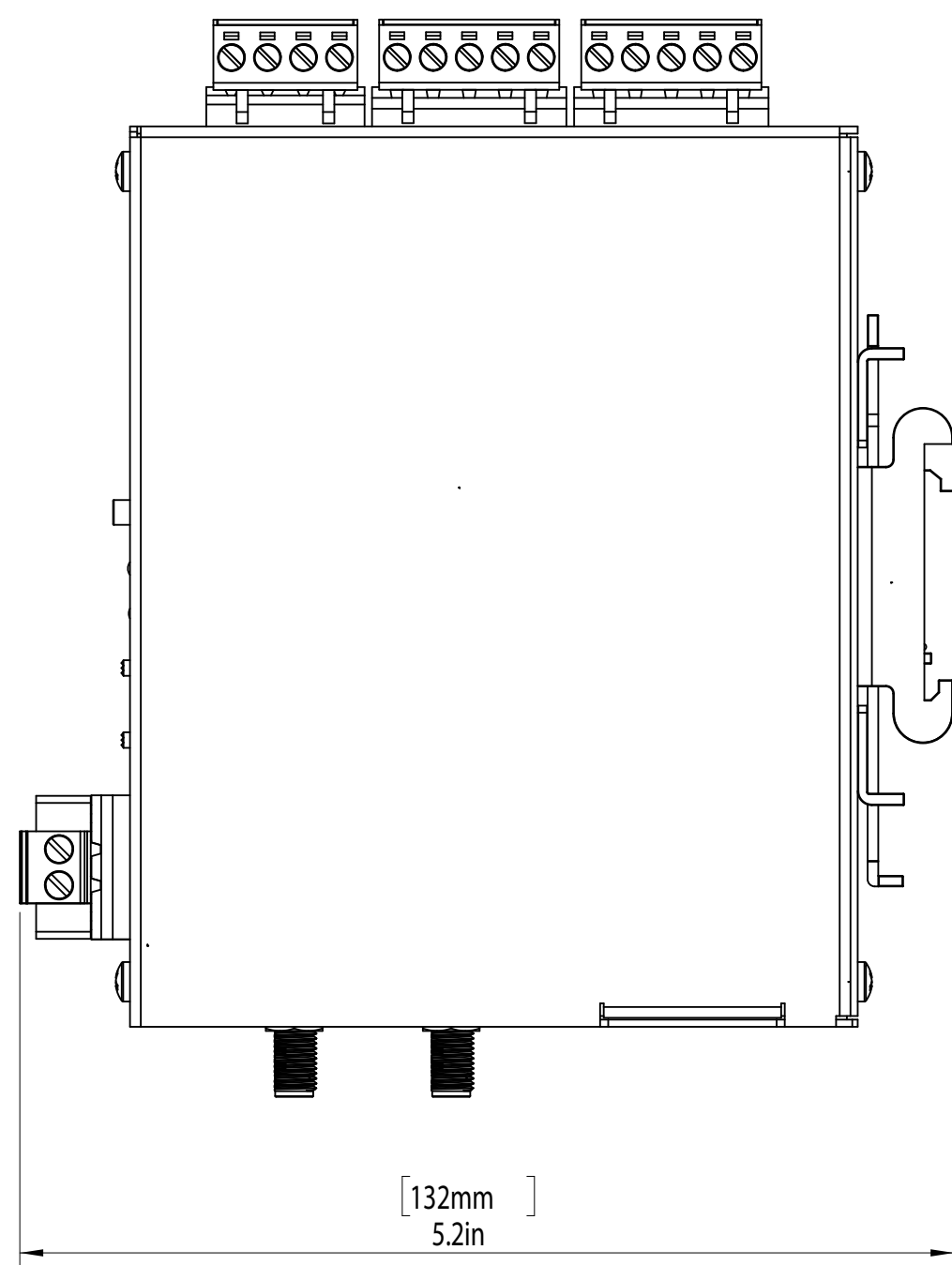
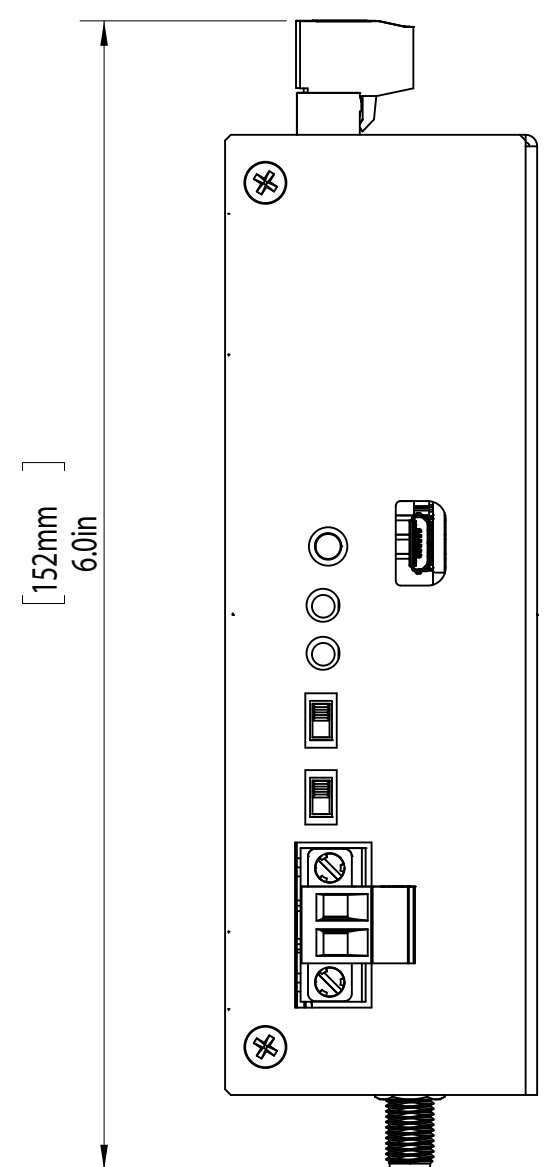
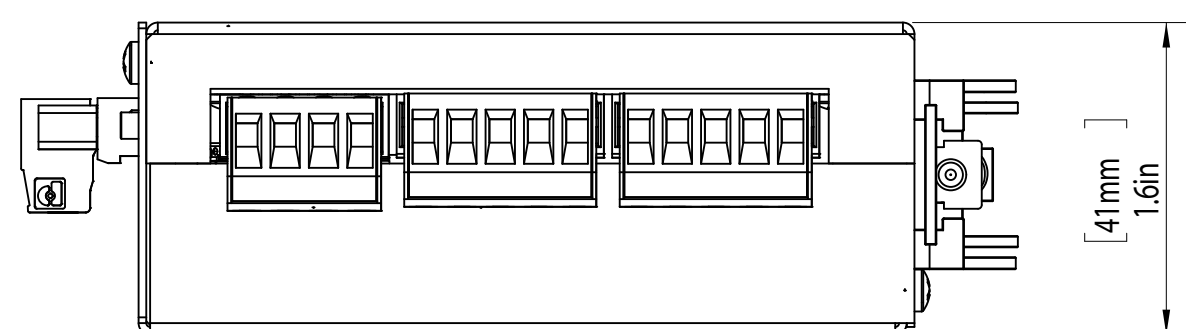


REVISIONS				
ZONE	REV.	DESCRIPTION	DATE	APPROVED
	A	INITIAL RELEASE	4/29/2022	S. BLODGETT



PROPRIETARY AND CONFIDENTIAL
 THE INFORMATION CONTAINED IN THIS
 DRAWING IS THE SOLE PROPERTY OF
 SIGNALFIRE TELEMETRY. ANY
 REPRODUCTION IN PART OR AS A WHOLE
 WITHOUT THE WRITTEN PERMISSION OF
 SIGNALFIRE TELEMETRY IS
 PROHIBITED.

UNLESS OTHERWISE SPECIFIED:		NAME	DATE
DIMENSIONS ARE IN INCHES		DRAWN	S.BLODGETT
TOLERANCES:		CHECKED	5/1/2019
FRACTIONAL	± 1/64	ENG APPR.	
ANGULAR	± .1° BEND ± 1/2°	MFG APPR.	
TWO PLACE DECIMAL	± .01	Q.A.	
THREE PLACE DECIMAL	± .005	COMMENTS:	
INTERPRET GEOMETRIC TOLERANCING PER:			
MATERIAL:			
FINISH:			
DO NOT SCALE DRAWING			

SignalFire Telemetry	
TITLE: Ranger-DIN	
DWG. NO. 965-0045-01	REV A
SCALE 1:1	SHEET 1 OF 1