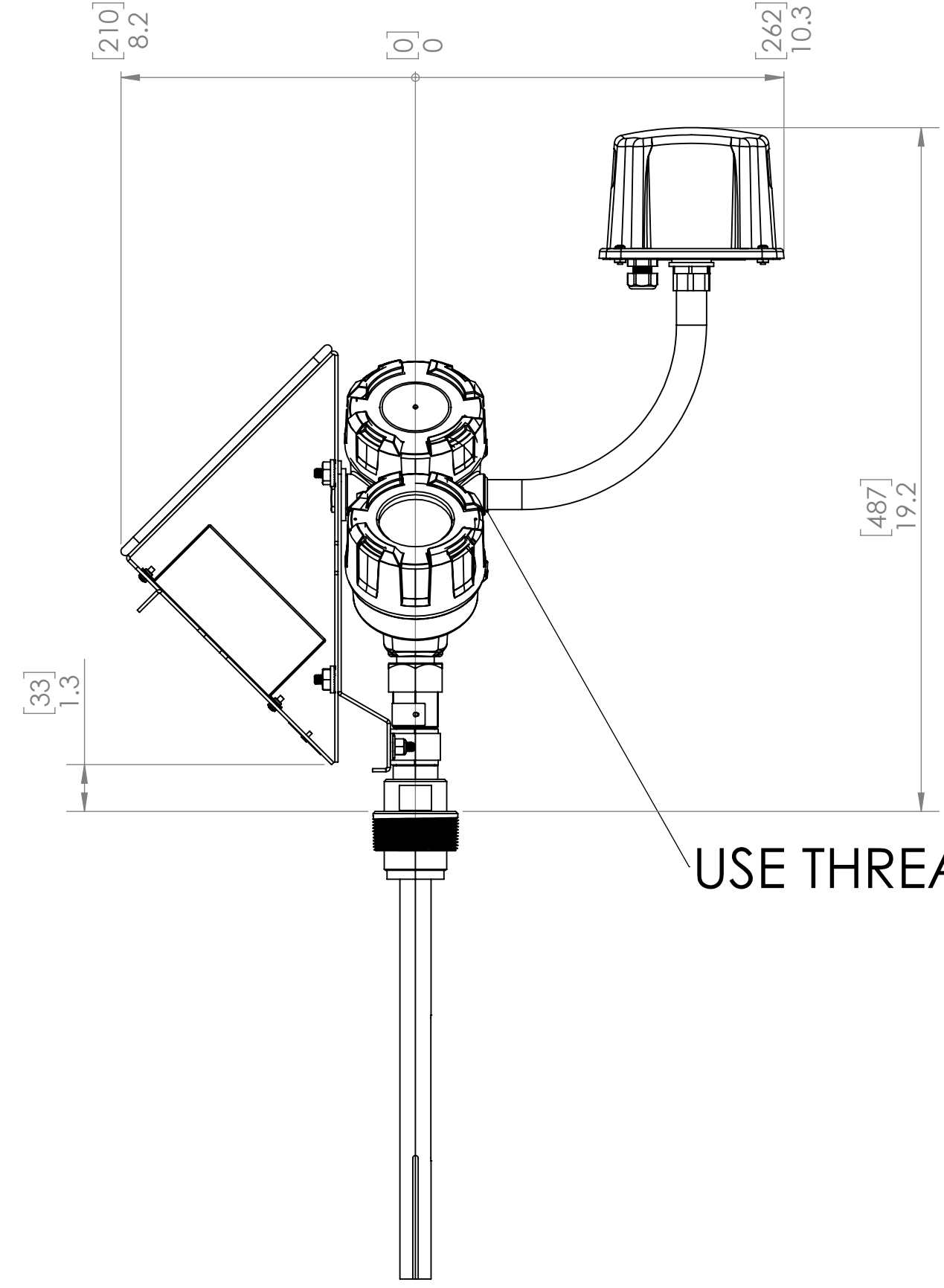
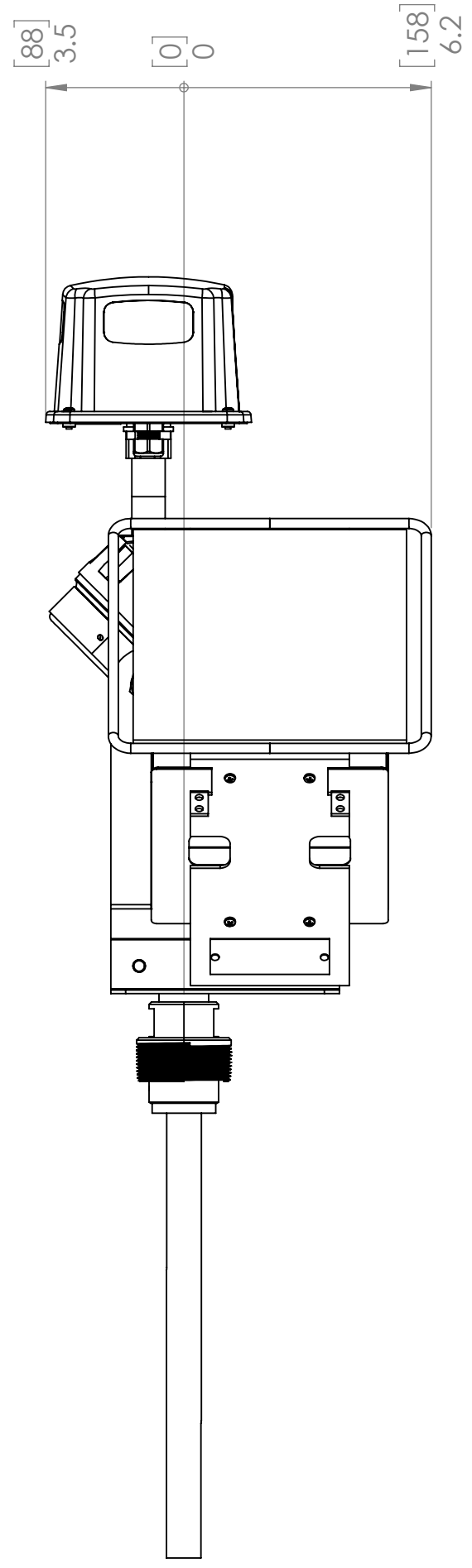


REVISIONS				
ZONE	REV.	DESCRIPTION	DATE	APPROVED
	A	INITIAL RELEASE	1/31/2022	S BLODGETT



USE THREAD SEALANT TO PREVENT GALLING

ORDER CODE: SentinelAccessory-BKT-Sentinel-Mag706

PROPRIETARY AND CONFIDENTIAL
 THE INFORMATION CONTAINED IN THIS DRAWING IS THE SOLE PROPERTY OF SIGNALFIRE TELEMETRY. ANY REPRODUCTION IN PART OR AS A WHOLE WITHOUT THE WRITTEN PERMISSION OF SIGNALFIRE TELEMETRY IS PROHIBITED.

UNLESS OTHERWISE SPECIFIED:	NAME	DATE	SignalFire Telemetry	
DIMENSIONS ARE IN INCHES	DRAWN	S.BLODGETT	5/1/2019	
TOLERANCES:	CHECKED		TITLE:	
FRACTIONAL ± 1/64	ENG APPR.		BRACKET KIT, MAGNETROL 706	
ANGULAR: MACH ± 1/2°	MFG APPR.		DWG. NO.	
TWO PLACE DECIMAL ± .01	Q.A.		965-0043-01	
THREE PLACE DECIMAL ± .005	COMMENTS:		SCALE 1:4	
INTERPRET GEOMETRIC TOLERANCING PER:			SHEET 1 OF 1	
MATERIAL			REV	
FINISH			A	
DO NOT SCALE DRAWING				