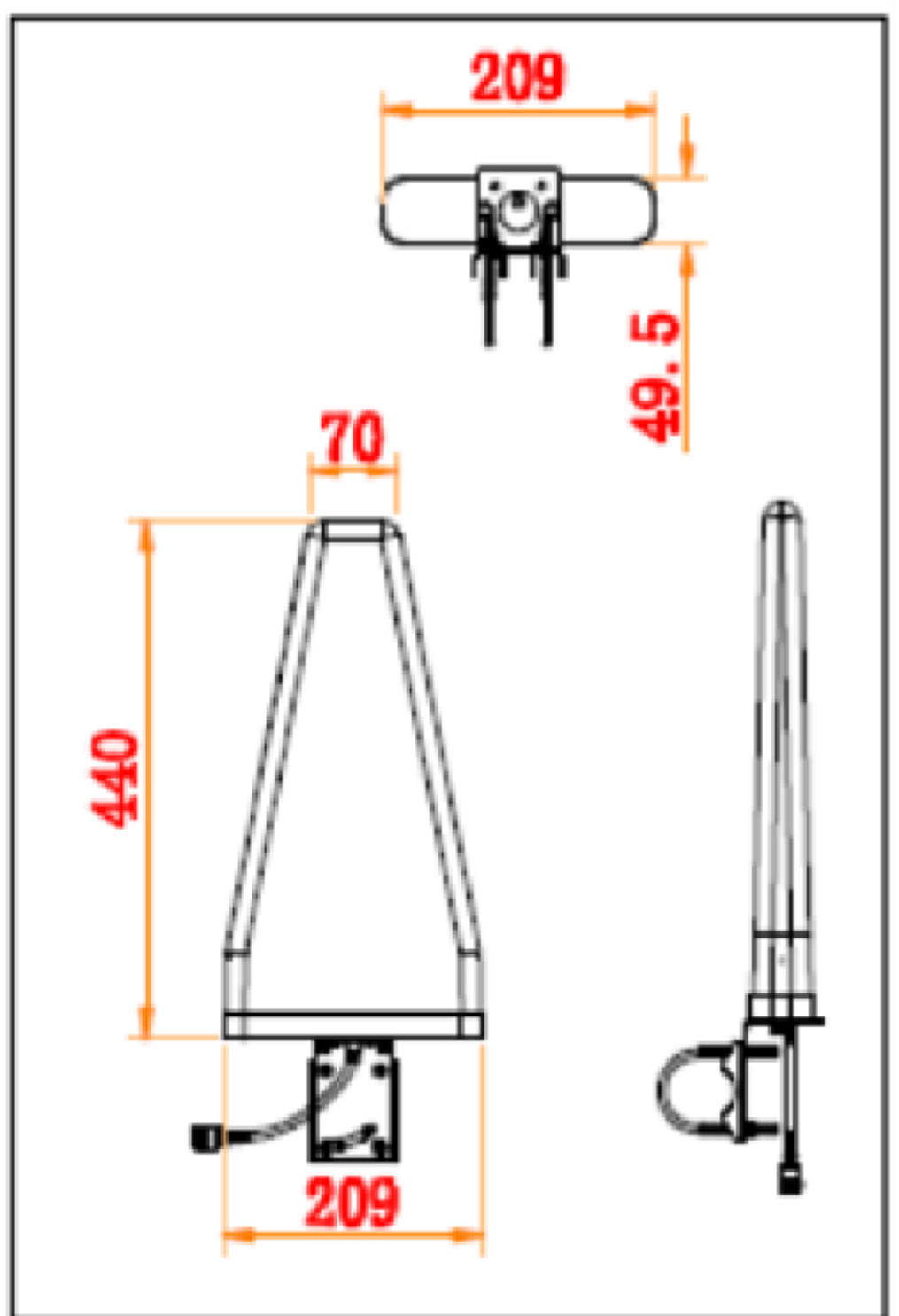
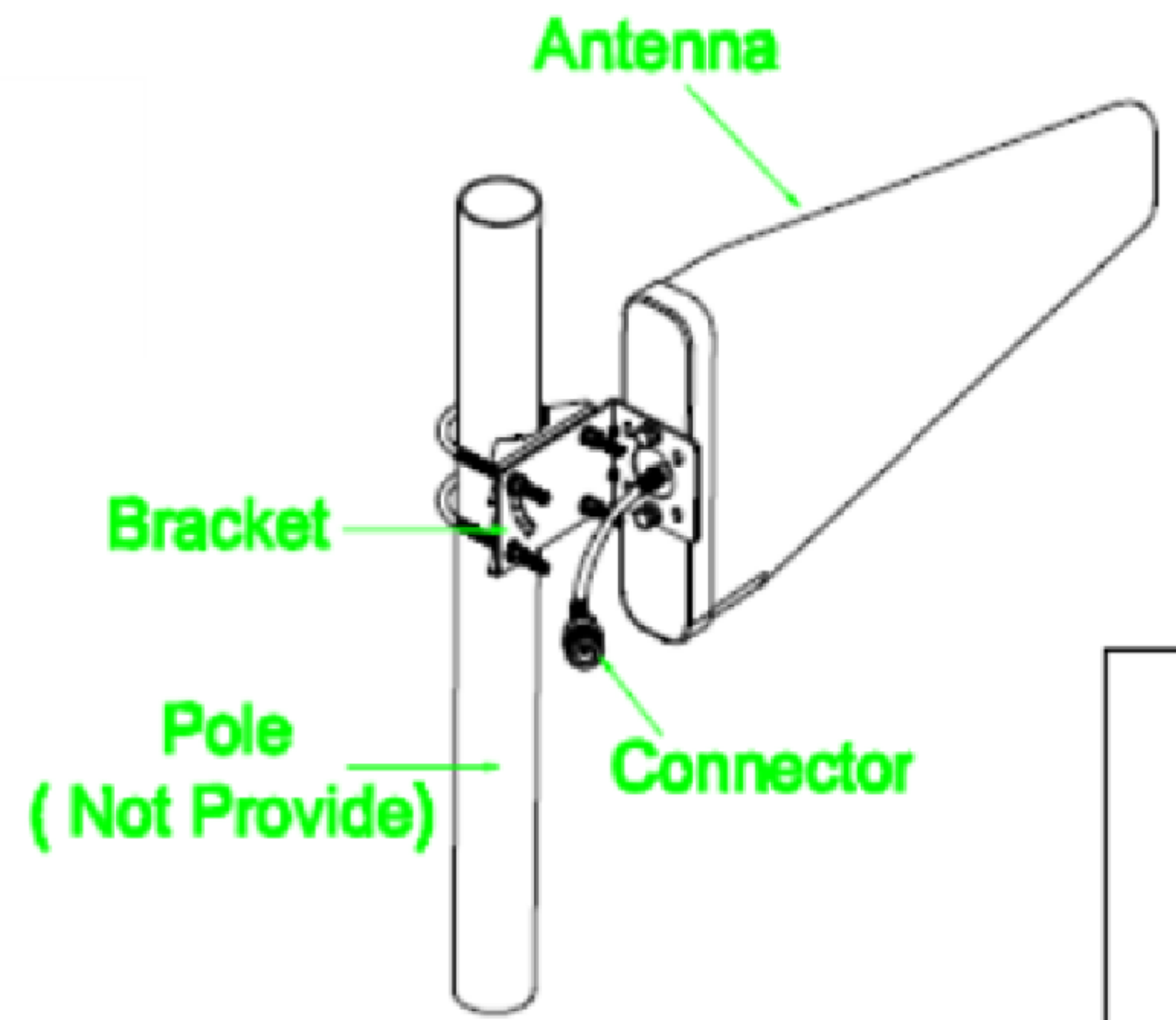


REVISIONS				
ZONE	REV.	DESCRIPTION	DATE	APPROVED
	A	INITIAL RELEASE	12/3/2021	S. BLODGETT



SPECIFICATIONS	
FREQUENCY RANGE	698-960/1710-2700MHz
F/B RATIO	>16dB
GAIN	9/11dBi
V.S.W.R.	≤1.8
HORIZONTAL BEAM WIDTH	90°
VERTICAL BEAM WIDTH	60°
CONNECTOR	SMA
CABLE TYPE	RG58U
CABLE LENGTH	10 FEET
ANTENNA RADOME MATERIAL	ABS

UNLESS OTHERWISE SPECIFIED:	NAME	DATE
DRAWN	S.BLODGETT	5/1/2019
CHECKED		
ENG APPR.		
MFG APPR.		
Q.A.		
COMMENTS:		

SignalFire Telemetry	
TITLE: ANT-LTE-DIR-10	
DWG. NO. 965-0042-01	REV A
SCALE 1:1	SHEET 1 OF 1

PROPRIETARY AND CONFIDENTIAL
 THE INFORMATION CONTAINED IN THIS DRAWING IS THE SOLE PROPERTY OF SIGNALFIRE TELEMETRY. ANY REPRODUCTION IN PART OR AS A WHOLE WITHOUT THE WRITTEN PERMISSION OF SIGNALFIRE TELEMETRY IS PROHIBITED.

DO NOT SCALE DRAWING