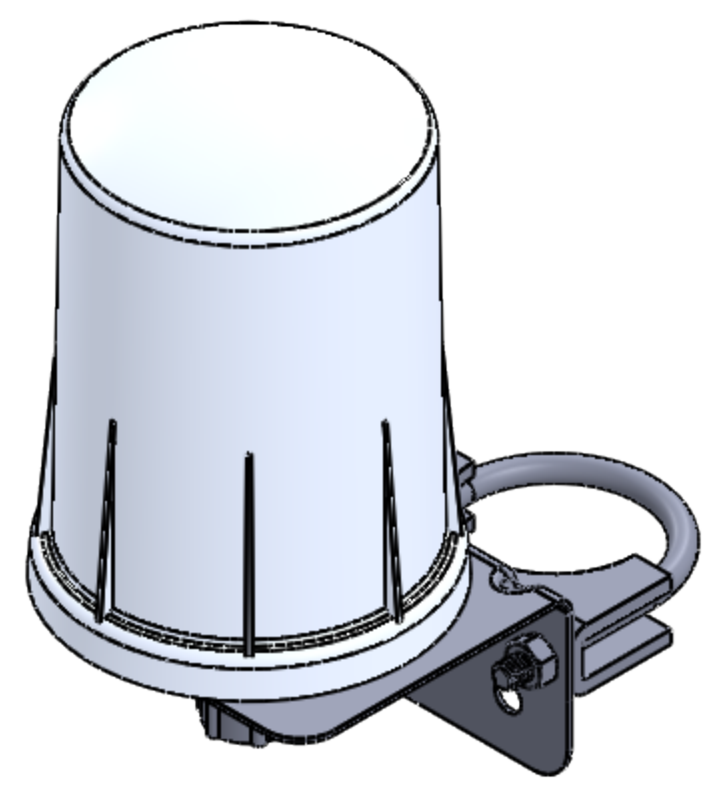
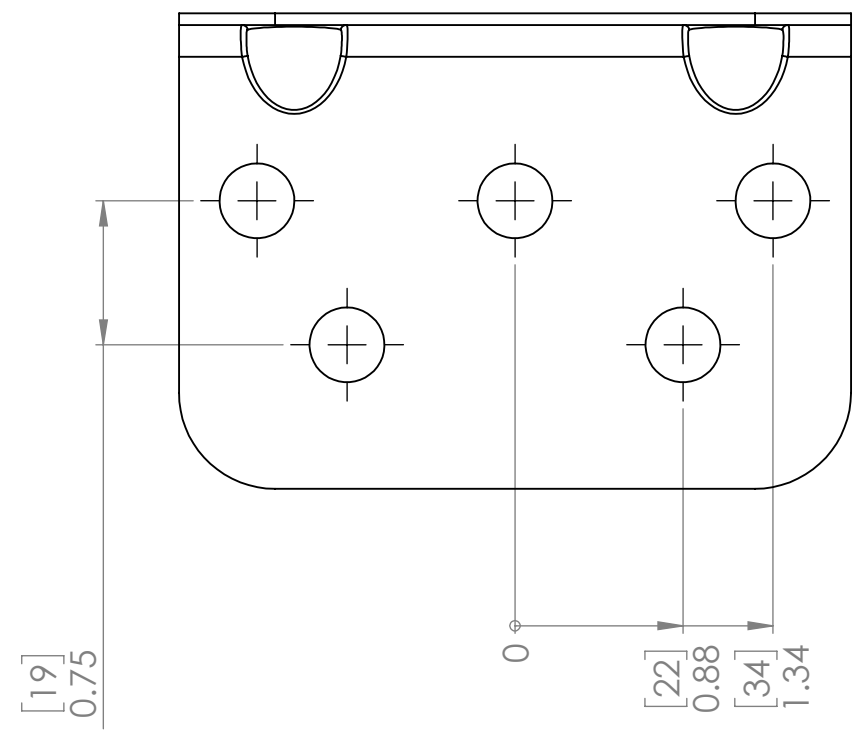
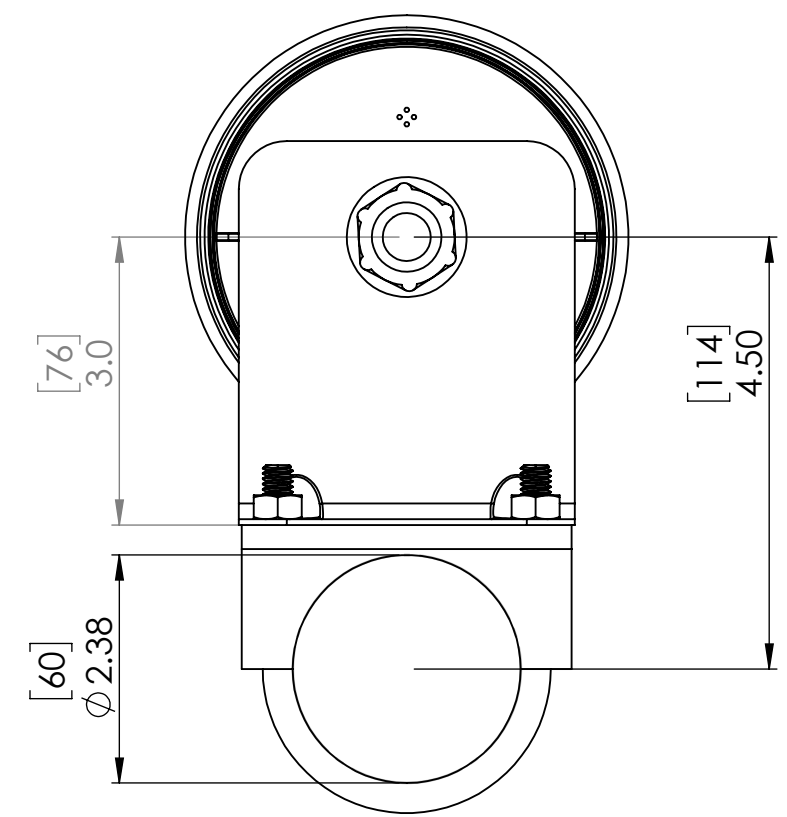
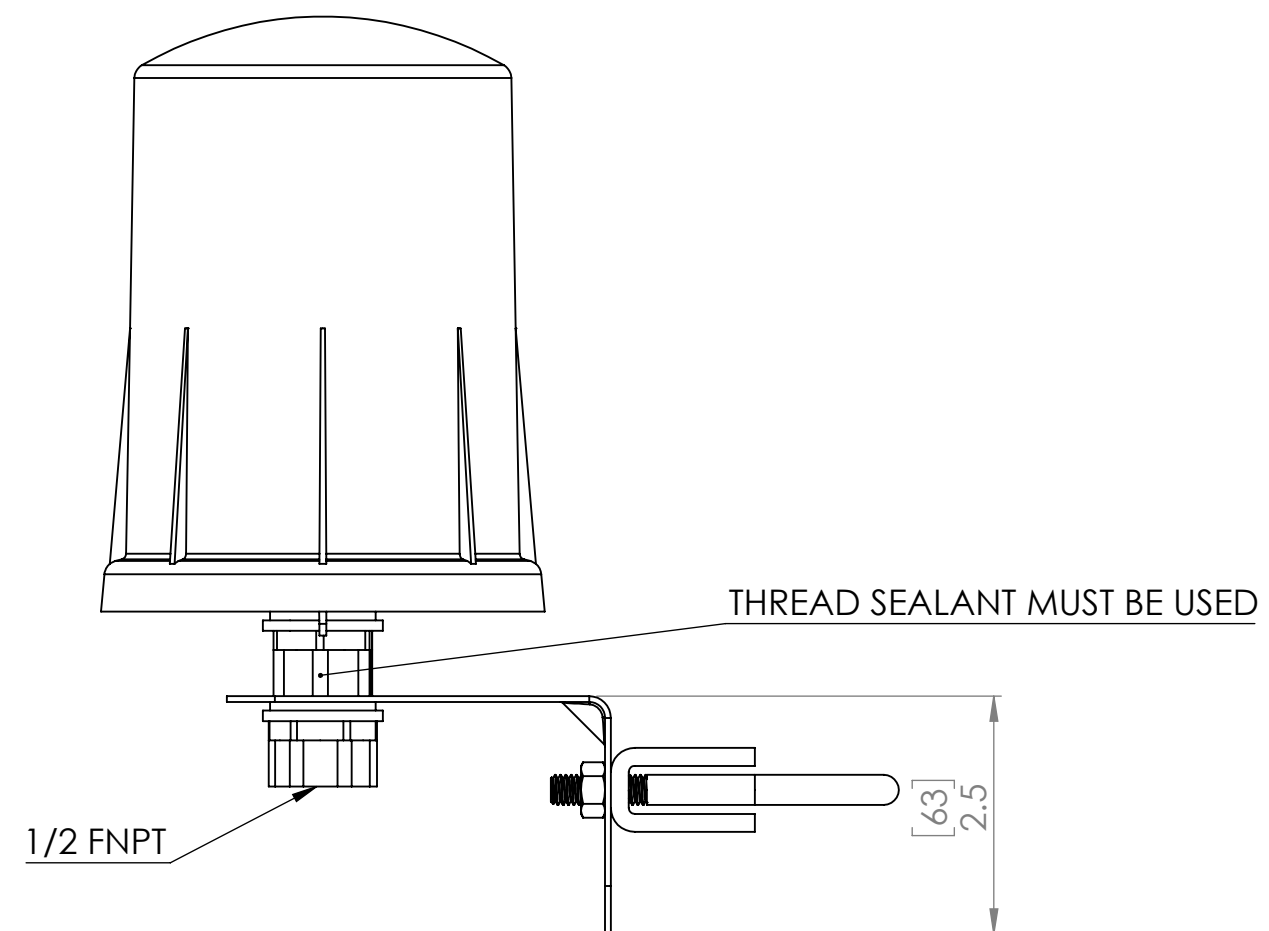
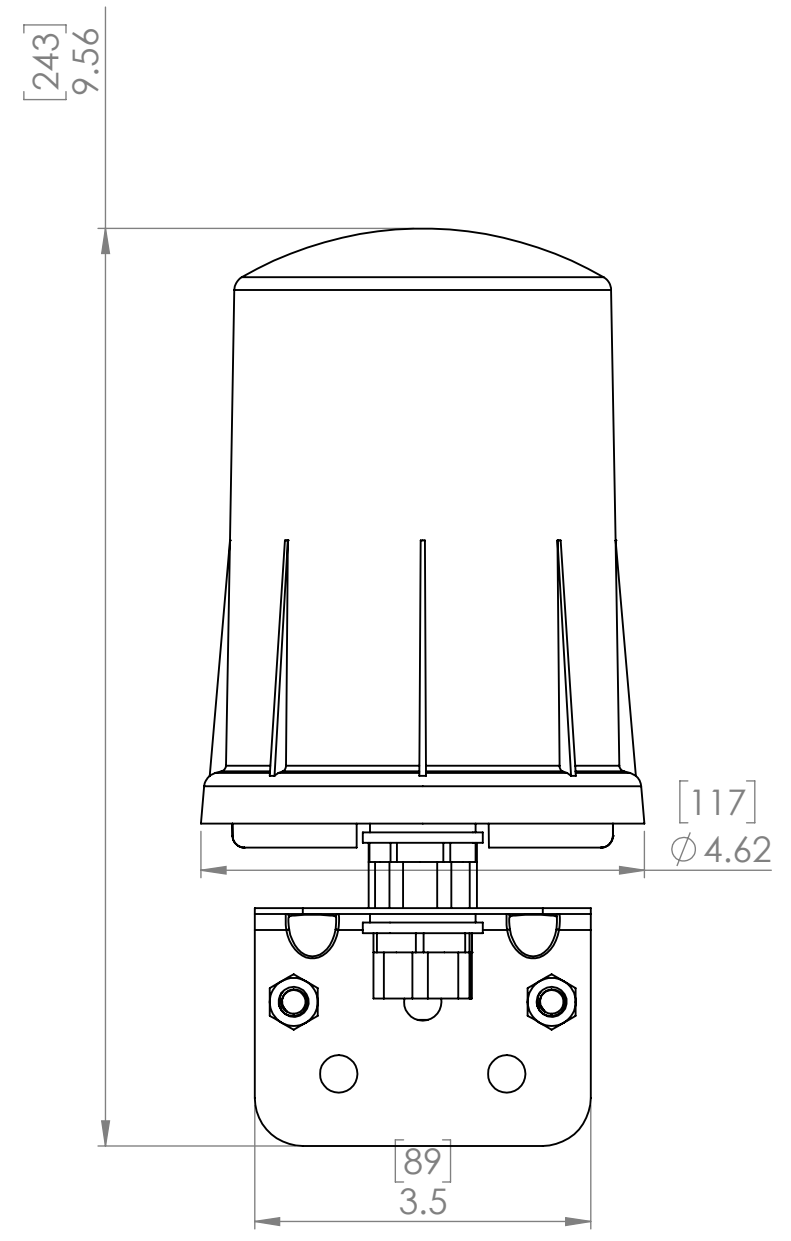


REVISIONS				
ZONE	REV.	DESCRIPTION	DATE	APPROVED
	A	Initial Release	9/24/2021	S. BLODGETT



Contents	Quantity
Right Angle Bracket	1
U-Bolt, 2in-nom	1
1/2"NPT Conduit Fitting	1

UNLESS OTHERWISE SPECIFIED: DIMENSIONS ARE IN INCHES TOLERANCES: FRACTIONAL ± 1/64 ANGULAR: MACH ± 1/2° TWO PLACE DECIMAL ± .01 THREE PLACE DECIMAL ± .005	DRAWN	S. BLODGETT	5/1/2019	SignalFire Telemetry TITLE: BKT-Node-RA DWG. NO. 965-0039-01 SCALE 1:2	REV A SHEET 1 OF 1
	CHECKED				
	ENG APPR.				
	MFG APPR.				
INTERPRET GEOMETRIC TOLERANCING PER:	Q.A.			COMMENTS:	
MATERIAL					
FINISH					
DO NOT SCALE DRAWING					

**PROPRIETARY AND CONFIDENTIAL**  
 THE INFORMATION CONTAINED IN THIS DRAWING IS THE SOLE PROPERTY OF SIGNALFIRE TELEMTRY. ANY REPRODUCTION IN PART OR AS A WHOLE WITHOUT THE WRITTEN PERMISSION OF SIGNALFIRE TELEMTRY IS PROHIBITED.