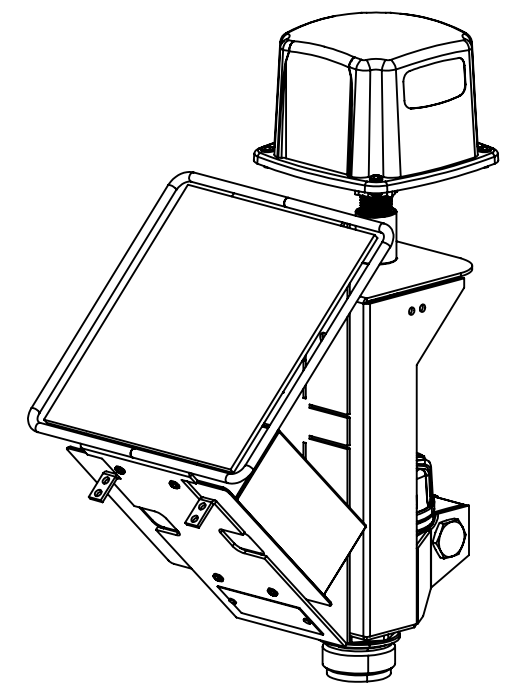
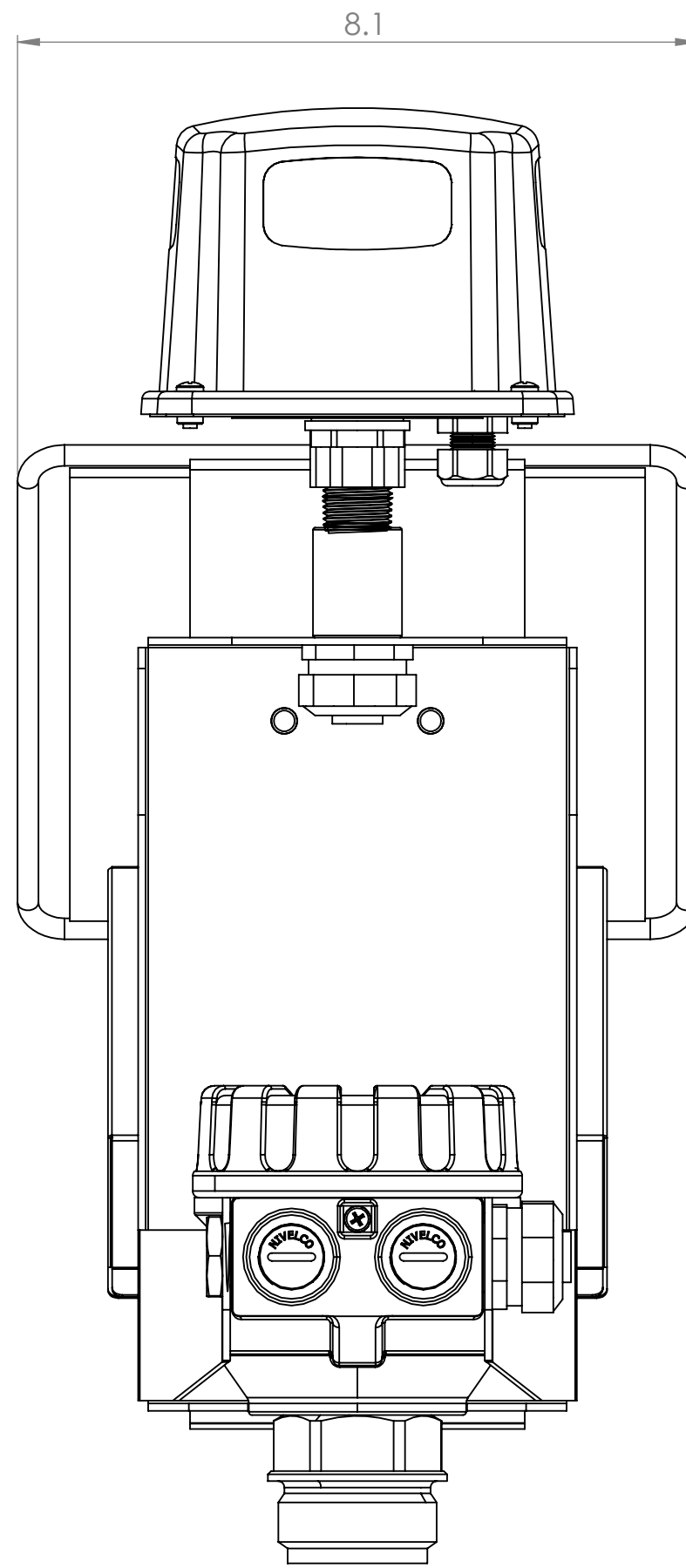
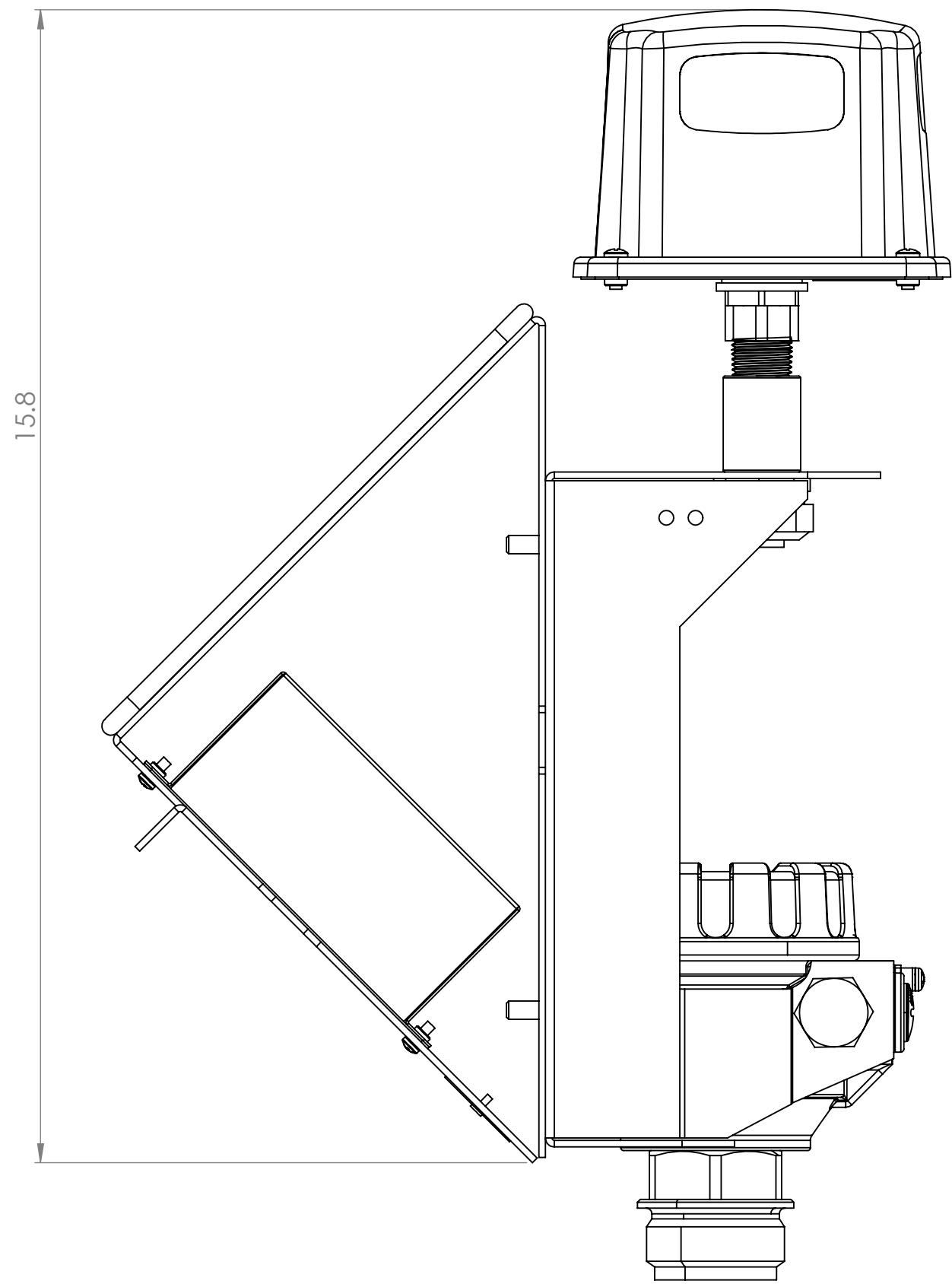
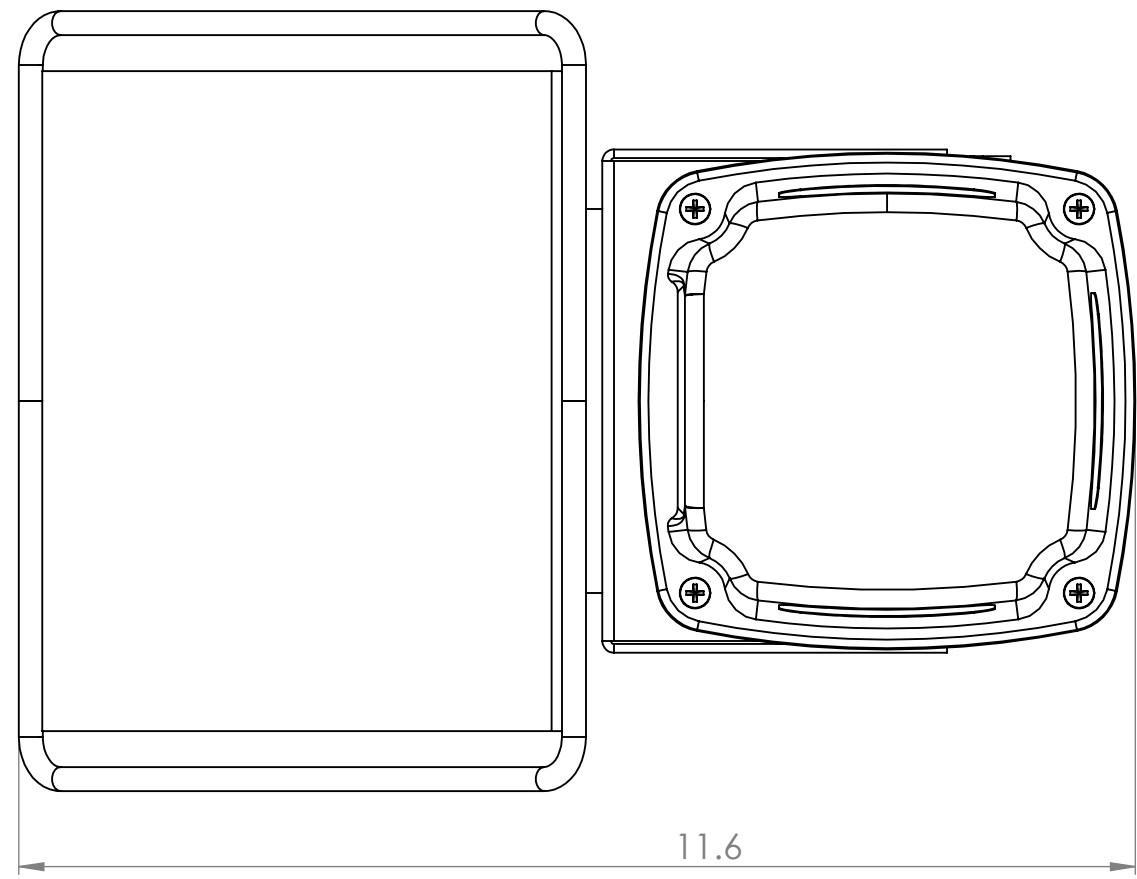


REVISIONS				
ZONE	REV.	DESCRIPTION	DATE	APPROVED
	A	Initial Release	11/5/2019	Sam B

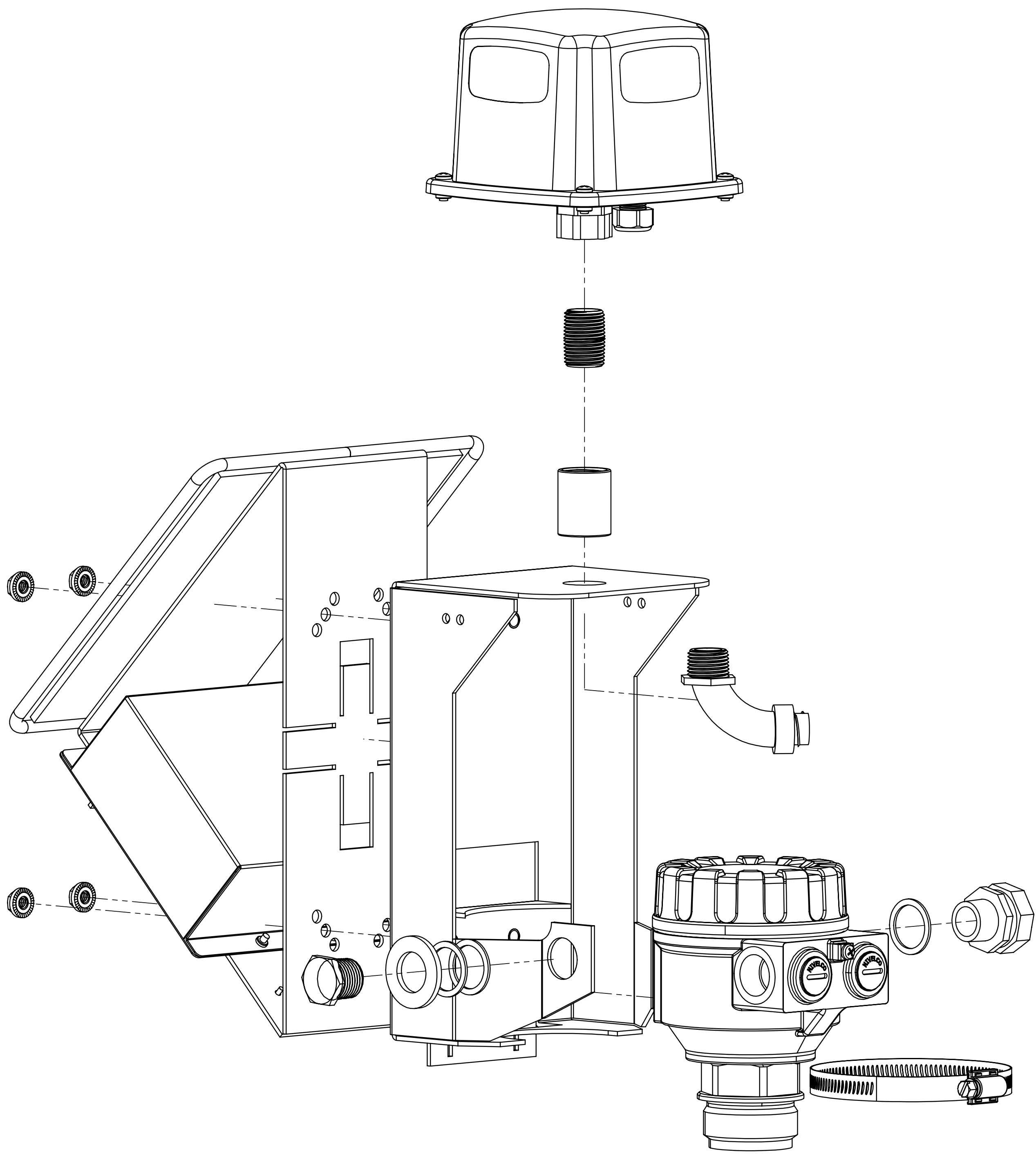


PROPRIETARY AND CONFIDENTIAL
 THE INFORMATION CONTAINED IN THIS DRAWING IS THE SOLE PROPERTY OF SIGNALFIRE TELEMETRY. ANY REPRODUCTION IN PART OR AS A WHOLE WITHOUT THE WRITTEN PERMISSION OF SIGNALFIRE TELEMETRY IS PROHIBITED.

UNLESS OTHERWISE SPECIFIED:	NAME	DATE
DIMENSIONS ARE IN INCHES	DRAWN S.BLODGETT	6/12/19
TOLERANCES:	CHECKED	
FRACTIONAL ± 1/64	ENG APPR.	
ANGULAR: MACH ± 1/2°	MFG APPR.	
TWO PLACE DECIMAL ± .01	Q.A.	
THREE PLACE DECIMAL ± .005	COMMENTS:	
INTERPRET GEOMETRIC TOLERANCING PER:		
MATERIAL		
FINISH		
DO NOT SCALE DRAWING		

SignalFire Telemetry	
TITLE: Nivelco Bracket Assembly	
DWG. NO. 965-0028-01	REV A
SCALE 1:5	SHEET 1 OF 2

REVISIONS				
ZONE	REV.	DESCRIPTION	DATE	APPROVED
	A	Initial Release	11/5/2019	Sam B



PROPRIETARY AND CONFIDENTIAL
 THE INFORMATION CONTAINED IN THIS DRAWING IS THE SOLE PROPERTY OF SIGNALFIRE TELEMETRY. ANY REPRODUCTION IN PART OR AS A WHOLE WITHOUT THE WRITTEN PERMISSION OF SIGNALFIRE TELEMETRY IS PROHIBITED.

UNLESS OTHERWISE SPECIFIED:	NAME	DATE
DIMENSIONS ARE IN INCHES	DRAWN	S.BLODGETT 6/12/19
TOLERANCES:	CHECKED	
FRACTIONAL $\pm 1/64$	ENG APPR.	
ANGULAR: MACH: $\pm 1/2^\circ$	MFG APPR.	
TWO PLACE DECIMAL $\pm .01$	Q.A.	
THREE PLACE DECIMAL $\pm .005$	COMMENTS:	
INTERPRET GEOMETRIC TOLERANCING PER:		
MATERIAL		
FINISH		
DO NOT SCALE DRAWING		

SignalFire Telemetry	
TITLE: Nivelco Bracket Assembly	
DWG. NO. 965-0028-01	REV A
SCALE 1:5	SHEET 2 OF 2