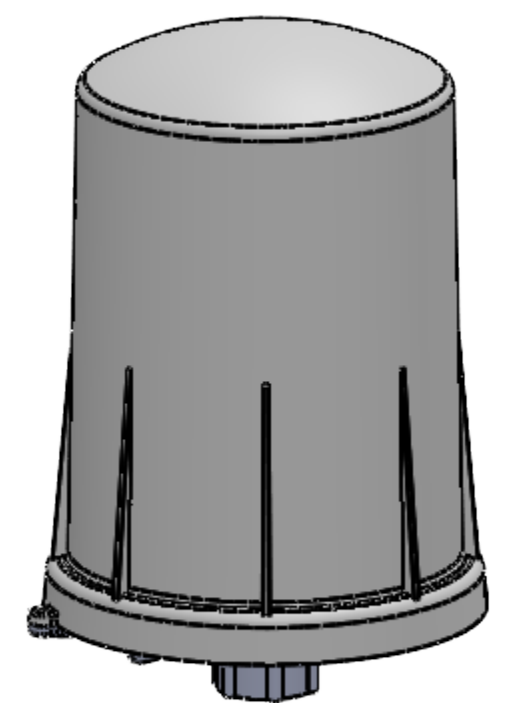
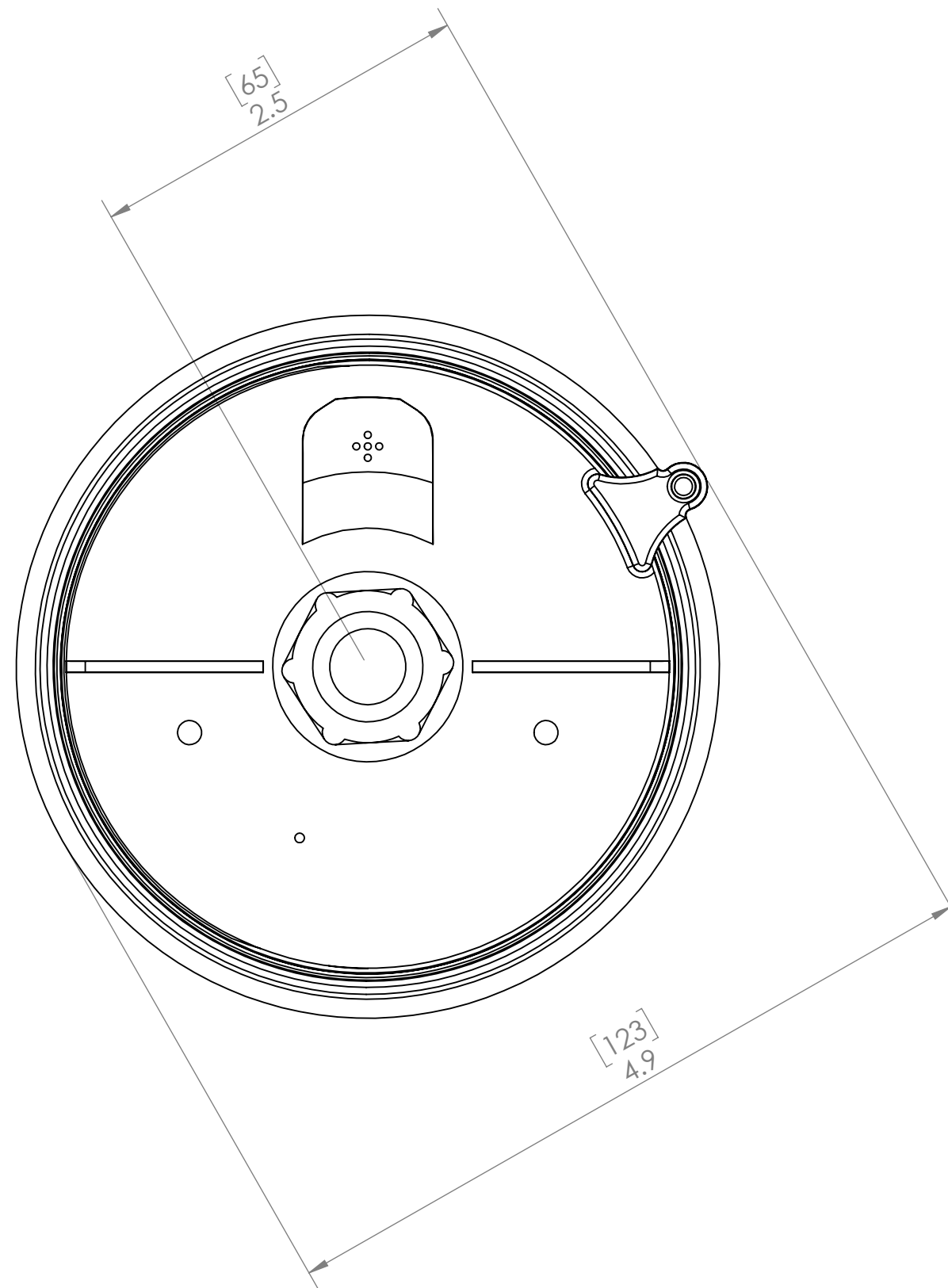
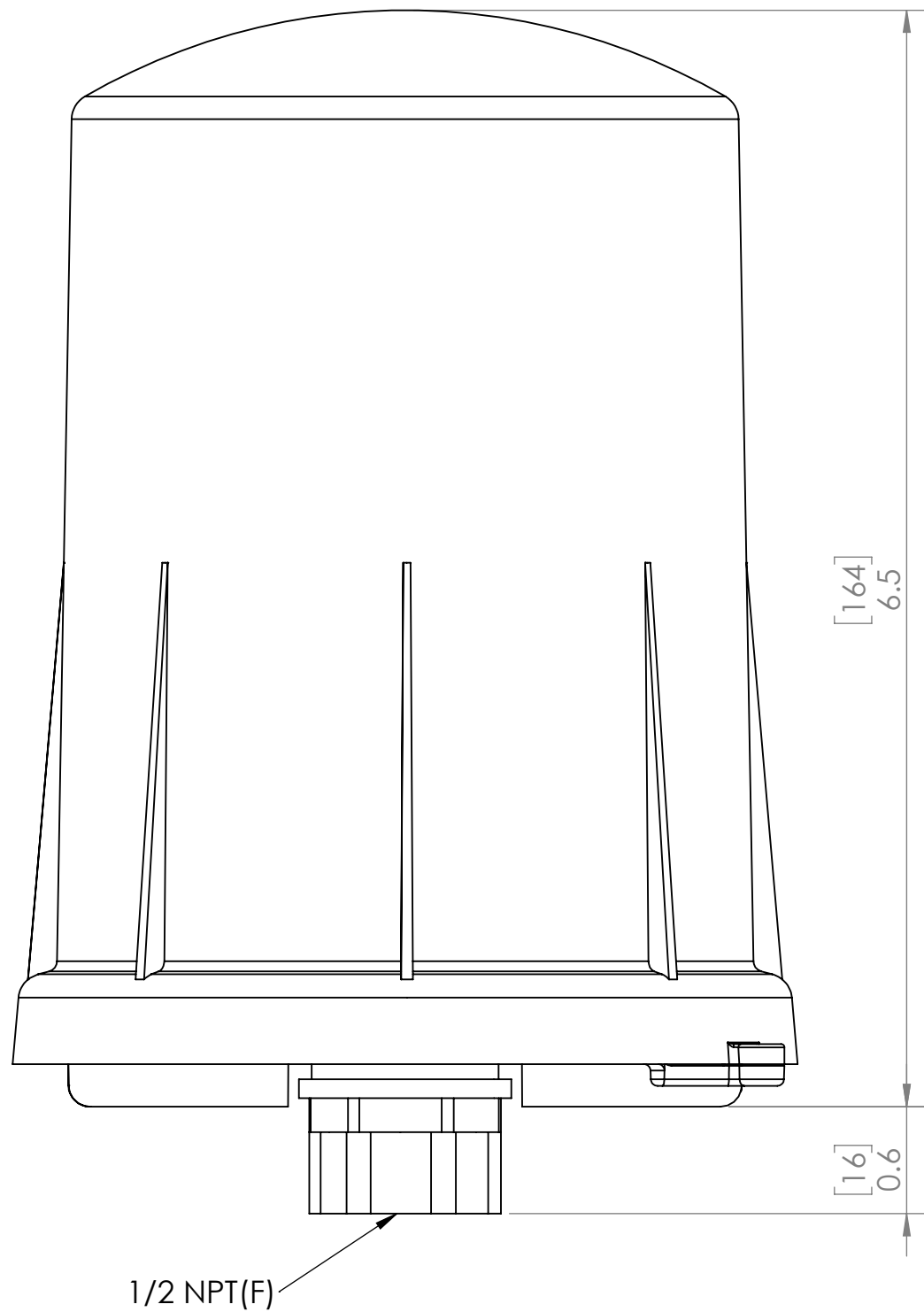


REVISIONS				
ZONE	REV.	DESCRIPTION	DATE	APPROVED
	A	INITIAL RELEASE	9/25/2019	S. BLODGETT
	B	UPDATED ENCLOSURE	9/23/2022	S. BLODGETT



OrderCode: Ranger-STD

**PROPRIETARY AND CONFIDENTIAL**  
THE INFORMATION CONTAINED IN THIS DRAWING IS THE SOLE PROPERTY OF SIGNALFIRE TELEMETRY. ANY REPRODUCTION IN PART OR AS A WHOLE WITHOUT THE WRITTEN PERMISSION OF SIGNALFIRE TELEMETRY IS PROHIBITED.

UNLESS OTHERWISE SPECIFIED:	NAME	DATE
DIMENSIONS ARE IN INCHES	DRAWN	S.BLODGETT 5/1/2019
TOLERANCES:	CHECKED	
FRACTIONAL $\pm 1/64$	ENG APPR.	
ANGULAR: MACH. $\pm 1/2^\circ$	MFG APPR.	
TWO PLACE DECIMAL $\pm .01$	Q.A.	
THREE PLACE DECIMAL $\pm .005$	COMMENTS:	
INTERPRET GEOMETRIC TOLERANCING PER:		
MATERIAL		
FINISH		
DO NOT SCALE DRAWING		

SignalFire Telemetry	
TITLE: <b>RANGER</b>	
DWG. NO. <b>965-0026-01</b>	REV <b>B</b>
SCALE 1:1	SHEET 1 OF 1