

LINK SCOUT

HART to Wireless Adapter

- WIRELESS CONNECTIVITY TO HART INSTRUMENTS
- CLASS1 DIV 1 RATED FOR HAZARDOUS LOCATIONS
- NO IMPACT ON THE 4-20mA LOOP RELIABILITY
- CONNECTIVITY WITH ASSET MANAGEMENT SOFTWARE



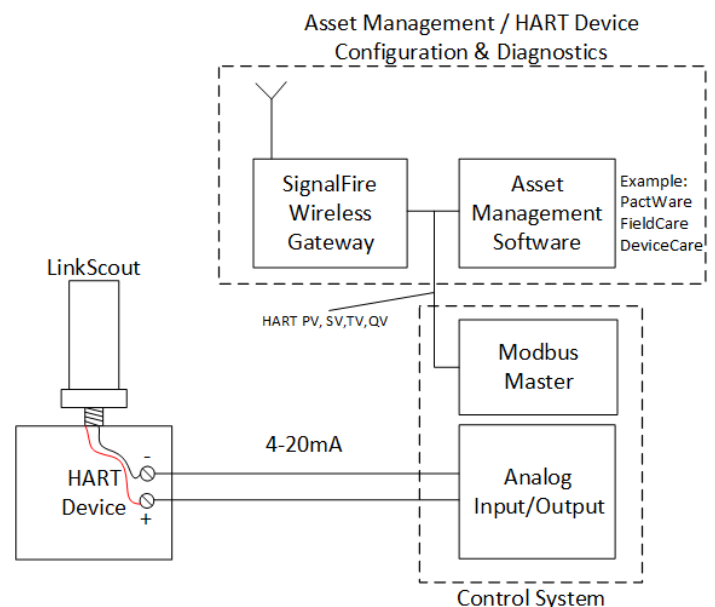
FEATURES

- Long wireless distance of 2640ft (800m)
- Supports four (4) HART® instruments in multi-drop mode
- Can be installed on a live instrument while in service
- Excellent battery life
- Transmits to gateway as Modbus registers HART PV, SV, TV, QV & HART diagnostic flag
- Tunnels all HART data to software like PactWare, DeviceCare, FieldCare
- 1/2" NPT male connection with potted wiring

PRODUCT OVERVIEW

The Link Scout is a wireless adapter for loop powered 4-20mA HART instruments allowing HART connectivity with asset management software like PactWare, FieldCare, DeviceCare and most FDT based software. The Link Scout is powered from an internal intrinsically safe battery and wired in parallel to not interfere with the existing 4-20mA loop. It will poll the HART instrument for its dynamic variables and alarm status to then transmit to the SignalFire gateway as Modbus registers. The Link Scout tunnels also all the HART traffic to an asset management software allowing full configuration, calibration and troubleshooting using the manufacturers DTM software.

SETUP DIAGRAM



LINK SCOUT

HART to Wireless Adapter

TECHNICAL SPECIFICATIONS

Operating Temp: -40 to +185°F (-40 to 85°C)

Humidity: 0% – 100% condensing

Power: One (1) 3.6Vdc D side size Lithium Thionyl Chloride battery

Output: 900Mhz - SignalFire protocol with HART passthrough

HART Support:

1 device in point-to-point
4 devices in multi-drop
HART PV, SV, TV, QV & Status
All parameters available from asset management software using SignalFire Virtual Com Port

Battery Life:

1 HART device:

- 5 sec update rate: 1.1 years
- 15 sec update rate: 2.8 years
- 60 sec update rate: 8.3 years
- 2 min update rate: 10+ years

Radio Power: 40 mW

Antenna Type: Integrated

Receive Sensitivity: -109 dB

Radio Frequency: 900 MHz

Range: Up to 1/2 mile (2650 ft, 800m)

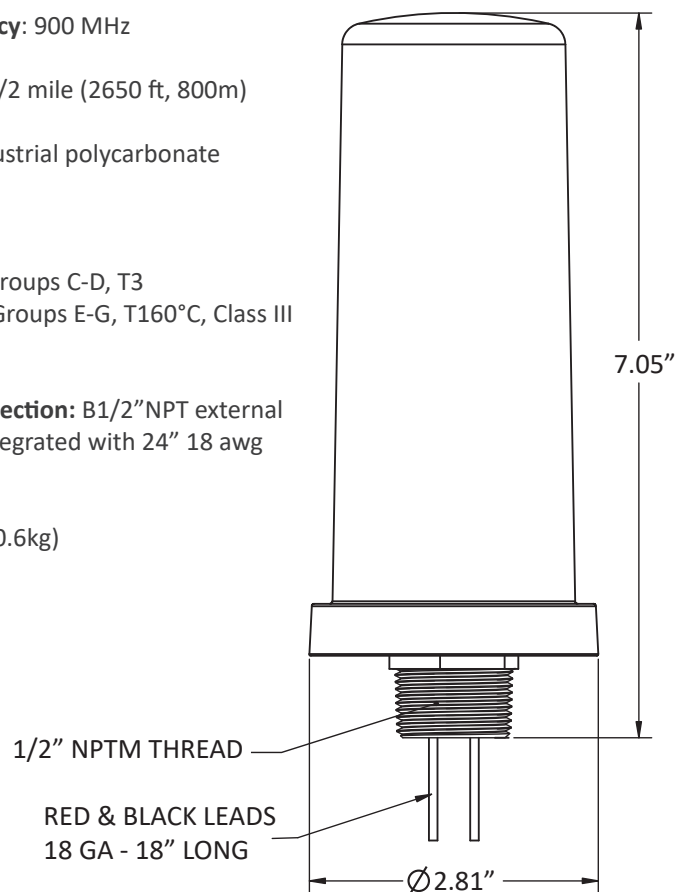
Enclosure: Industrial polycarbonate
UV Rated; IP64

Safety Rating:

Class I, Div 1, Groups C-D, T3
Class II, Div 1, Groups E-G, T160°C, Class III
Ex ia IIB T3 Ga

Electrical Connection: B1/2" NPT external connection; integrated with 24" 18 awg potted wires

Weight: 1 lbs (0.6kg)



HOW TO ORDER

Model: LinkScout-HART-1BIS