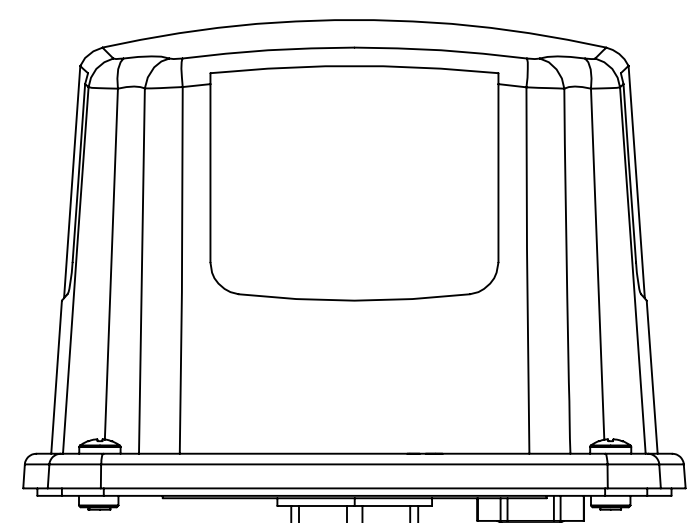
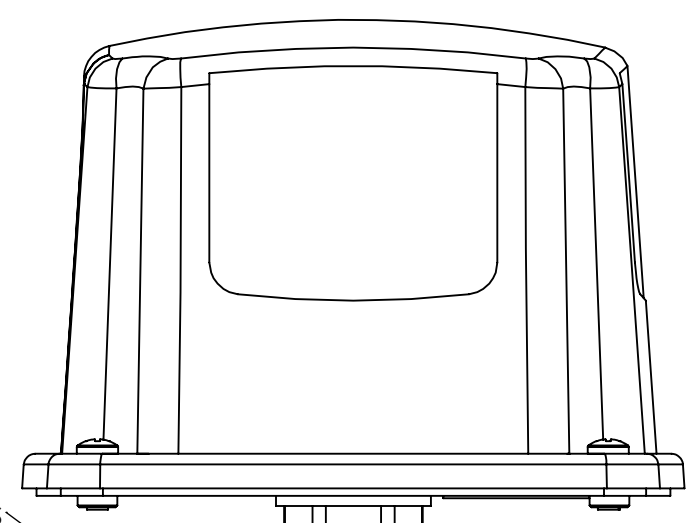


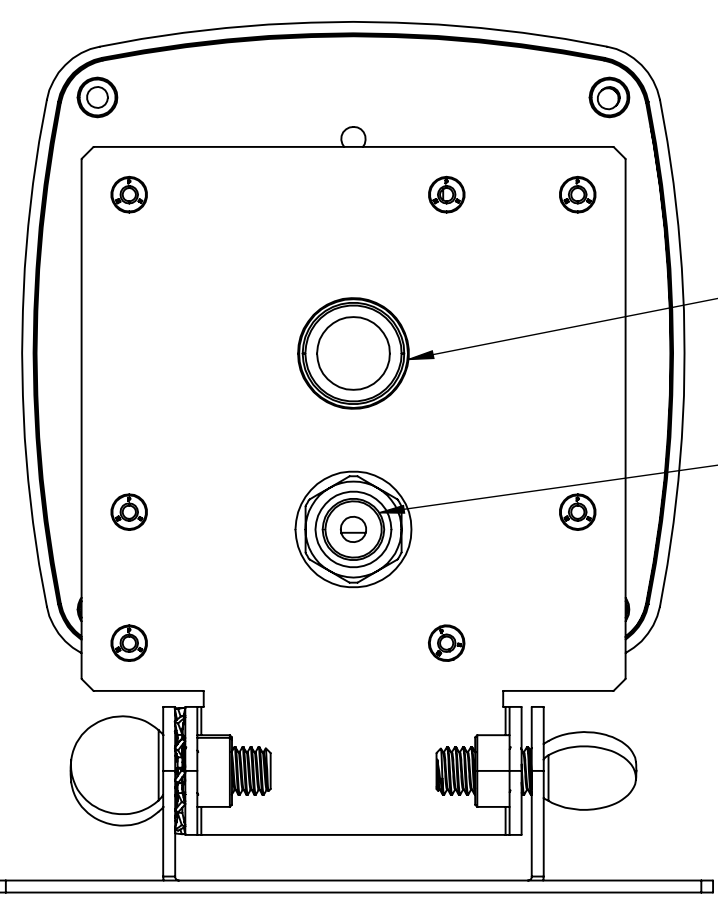
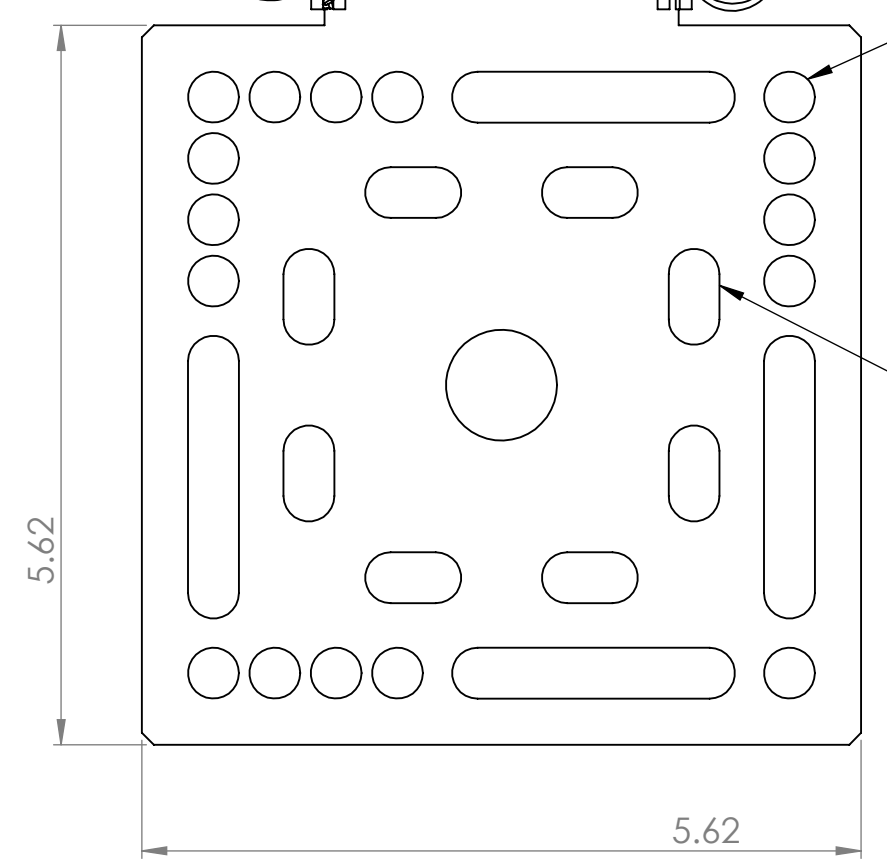
REVISIONS				
ZONE	REV.	DESCRIPTION	DATE	APPROVED
	A	Initial Release	8/23/2019	S. BLODGETT



Totalizer Mounting Nuts

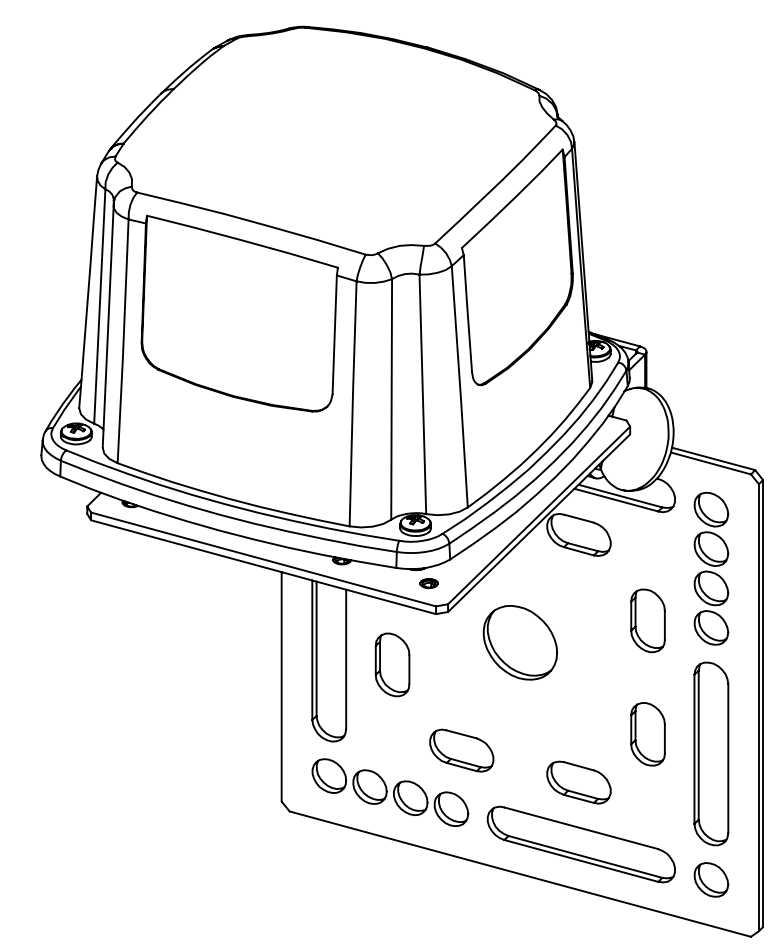
3/8 U-BOLT MOUNTING HOLES

1/2" band clamp slots



Sentinel Mounting Hole

Sentinel Solar Clearance hole



PROPRIETARY AND CONFIDENTIAL
 THE INFORMATION CONTAINED IN THIS DRAWING IS THE SOLE PROPERTY OF SIGNALFIRE TELEMETRY. ANY REPRODUCTION IN PART OR AS A WHOLE WITHOUT THE WRITTEN PERMISSION OF SIGNALFIRE TELEMETRY IS PROHIBITED.

UNLESS OTHERWISE SPECIFIED:	NAME	DATE
DIMENSIONS ARE IN INCHES	DRAWN S.BLODGETT	6/12/19
TOLERANCES:	CHECKED	
FRACTIONAL ± 1/64	ENG APPR.	
ANGULAR: MACH ± 1/2°	MFG APPR.	
TWO PLACE DECIMAL ± .01	Q.A.	
THREE PLACE DECIMAL ± .005	COMMENTS:	
INTERPRET GEOMETRIC TOLERANCING PER:		
MATERIAL		
FINISH		
DO NOT SCALE DRAWING		

SignalFire Telemetry	
TITLE: Mechanical Drawing Remote Mount Bracket	
DWG. NO. 965-0025-02	REV A
SCALE 1:2	SHEET 1 OF 1