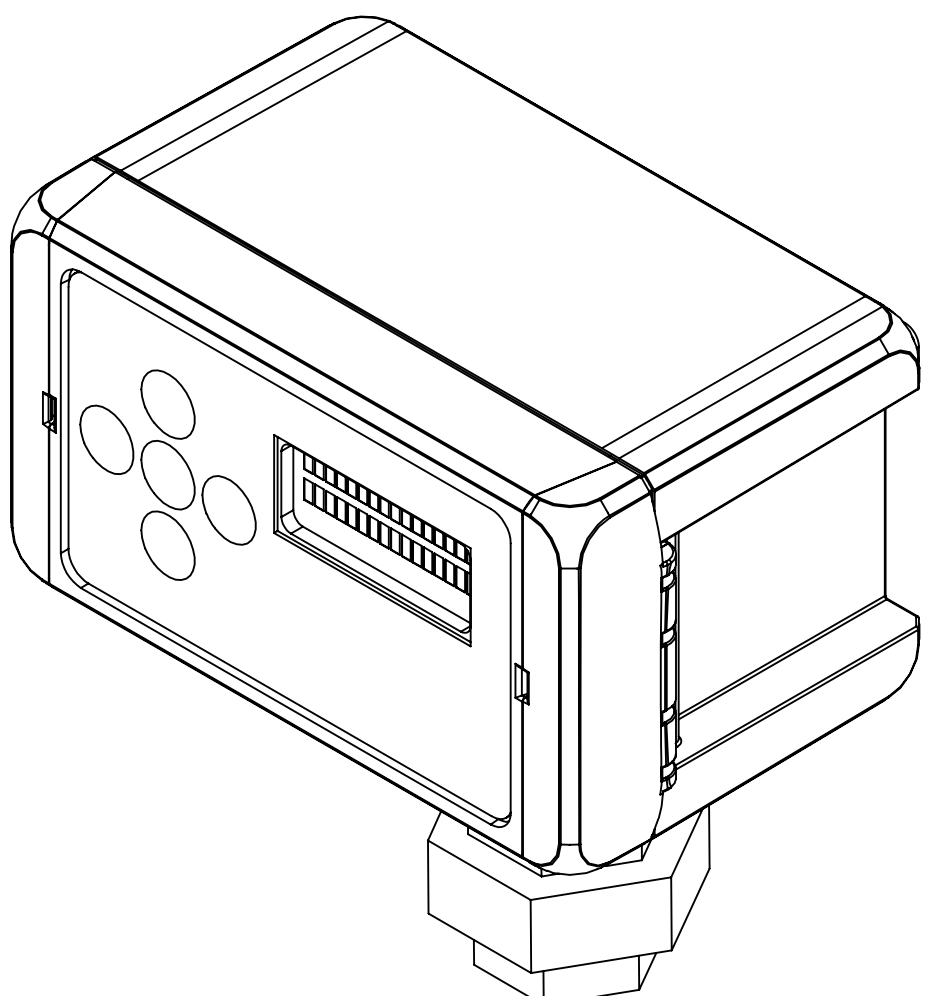
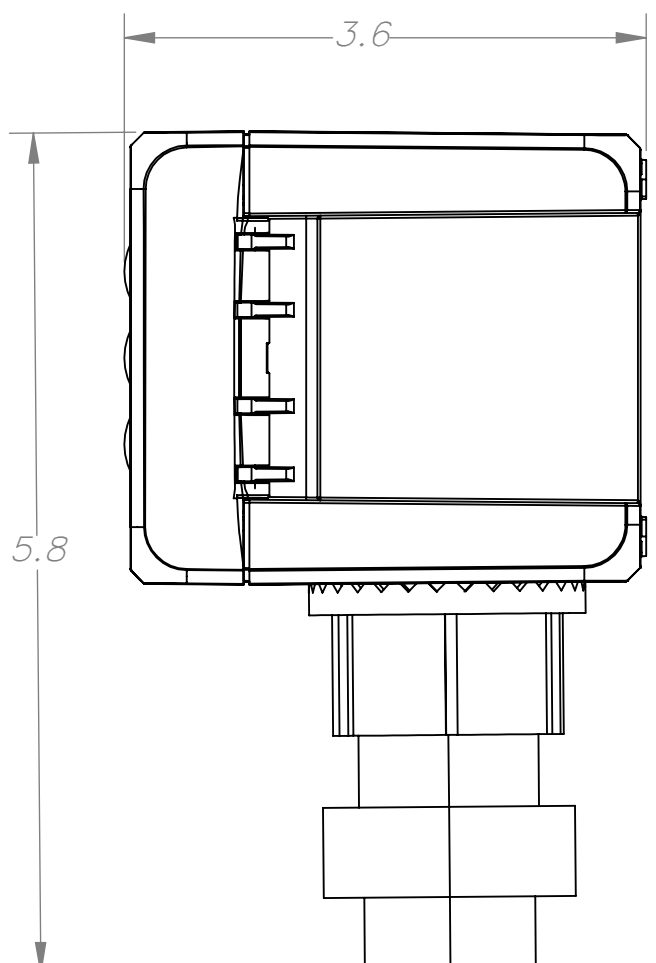
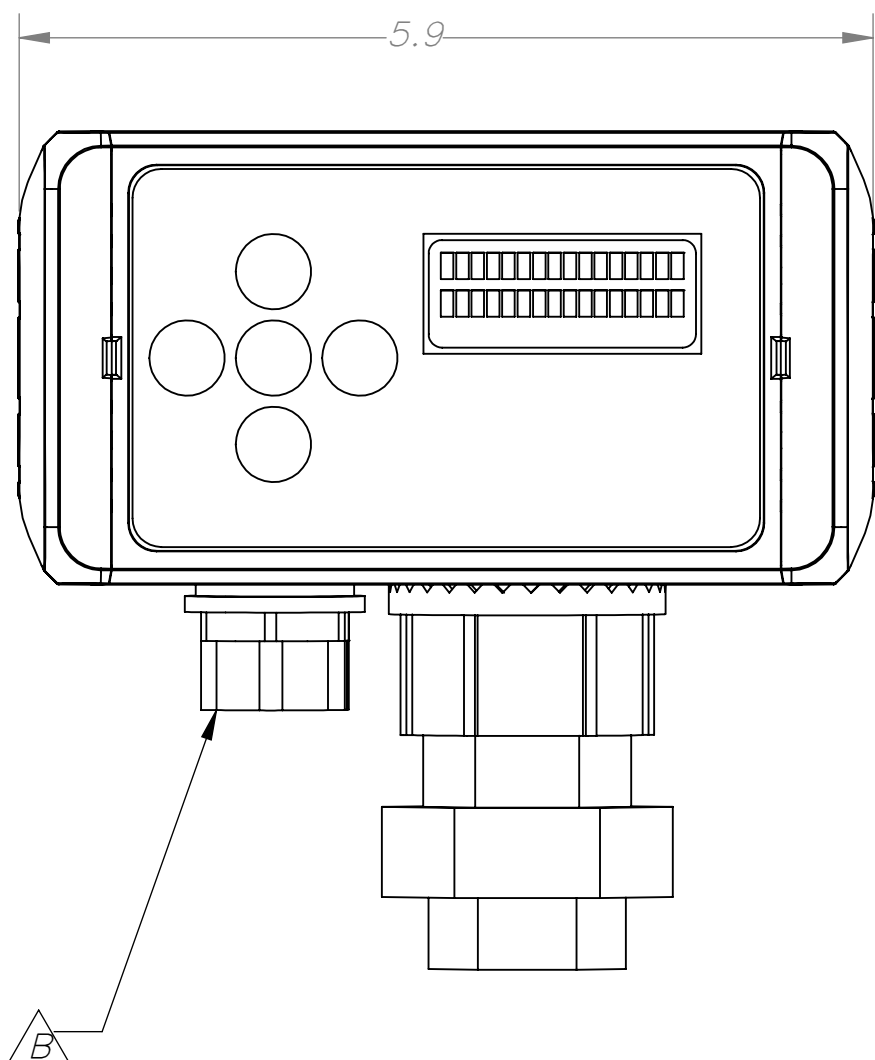
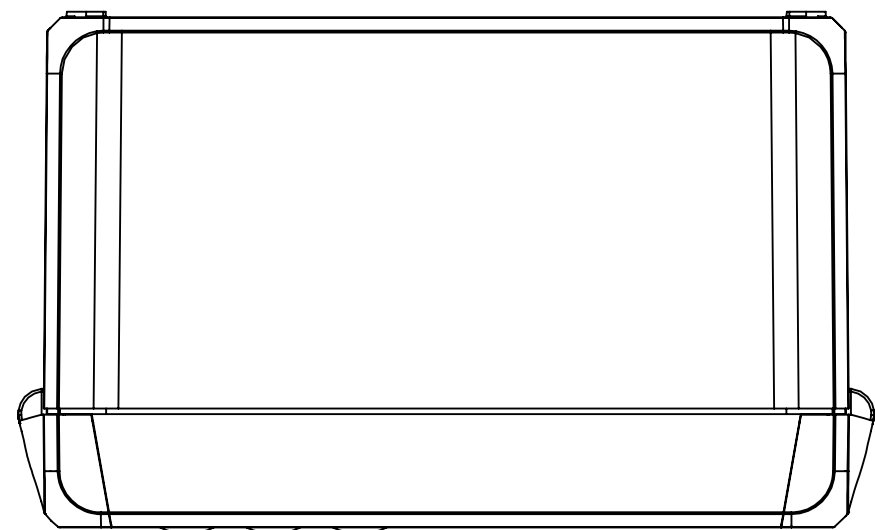


REVISIONS				
ZONE	REV.	DESCRIPTION	DATE	APPROVED
	A	INITIAL RELEASE	6/14/2018	S. KELLER
	B	CHG PG-9 GLAND TO NPT	5/6/2019	S. BLODGETT

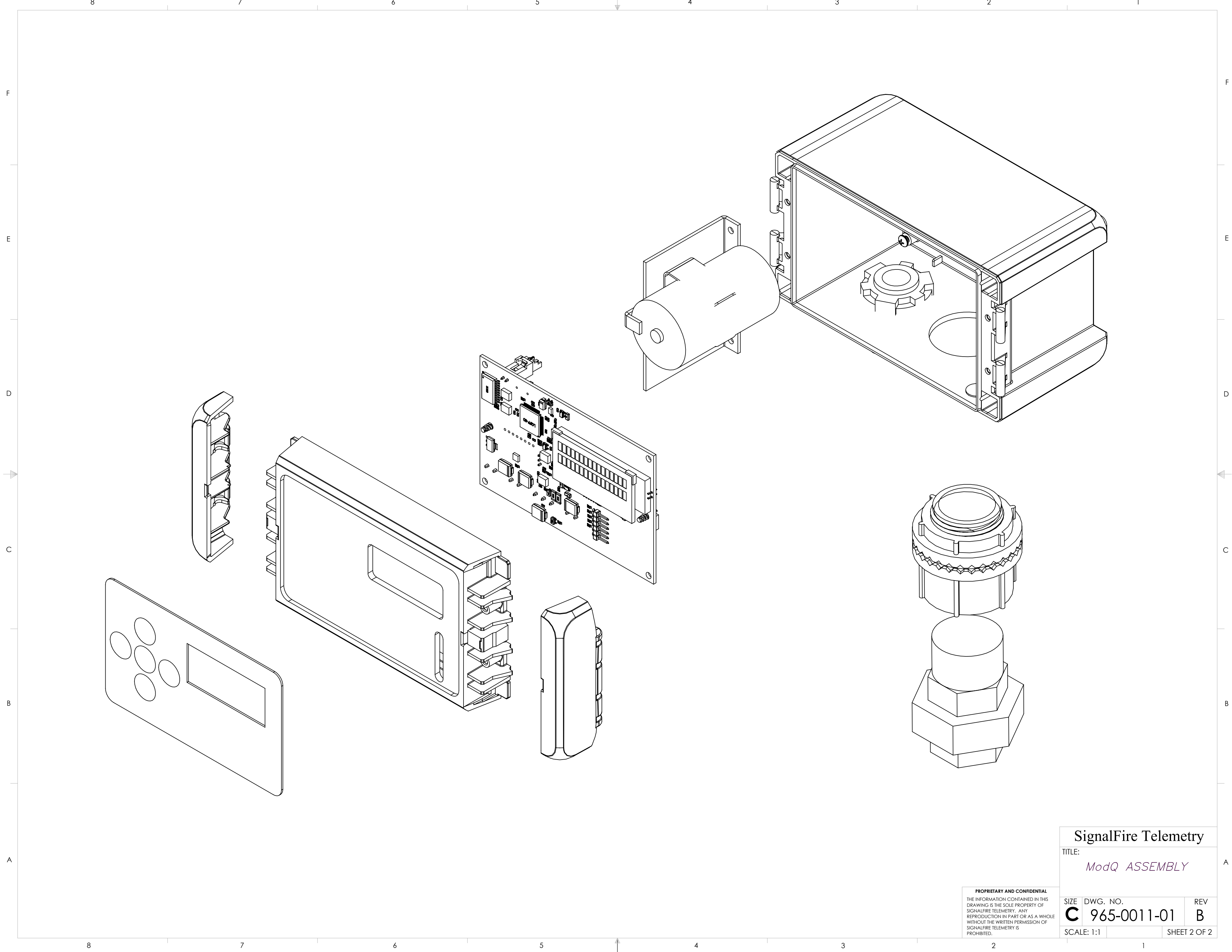


**PROPRIETARY AND CONFIDENTIAL**  
 THE INFORMATION CONTAINED IN THIS DRAWING IS THE SOLE PROPERTY OF SIGNALFIRE TELEMTRY. ANY REPRODUCTION IN PART OR AS A WHOLE WITHOUT THE WRITTEN PERMISSION OF SIGNALFIRE TELEMTRY IS PROHIBITED.

UNLESS OTHERWISE SPECIFIED:		NAME	DATE
DIMENSIONS ARE IN INCHES		DRAWN	R. GROUNDS 06/14/18
TOLERANCES:		CHECKED	S. KELLER XX/XX/XX
FRACTIONAL $\pm 1/64$		ENG APPR.	S. KELLER XX/XX/XX
ANGULAR: MACH: $1^\circ$ BEND $\pm 1/2^\circ$		MFG APPR.	S. KELLER XX/XX/XX
TWO PLACE DECIMAL $\pm .01$		Q.A.	S. KELLER XX/XX/XX
THREE PLACE DECIMAL $\pm .005$		COMMENTS:	
INTERPRET GEOMETRIC TOLERANCING PER:			
MATERIAL			
FINISH			
NEXT ASSY	USED ON		
APPLICATION	DO NOT SCALE DRAWING		

**SignalFire Telemetry**  
**ModQ ASSEMBLY**

SIZE	DWG. NO.	REV
<b>C</b>	<b>965-0011-01</b>	<b>B</b>
SCALE: 3:4	WEIGHT:	SHEET 1 OF 2



<b>SignalFire Telemetry</b>		
TITLE: <i>ModQ ASSEMBLY</i>		
SIZE	DWG. NO.	REV
<b>C</b>	<b>965-0011-01</b>	<b>B</b>
SCALE: 1:1		SHEET 2 OF 2

**PROPRIETARY AND CONFIDENTIAL**  
THE INFORMATION CONTAINED IN THIS  
DRAWING IS THE SOLE PROPERTY OF  
SIGNALFIRE TELEMTRY. ANY  
REPRODUCTION IN PART OR AS A WHOLE  
WITHOUT THE WRITTEN PERMISSION OF  
SIGNALFIRE TELEMTRY IS  
PROHIBITED.