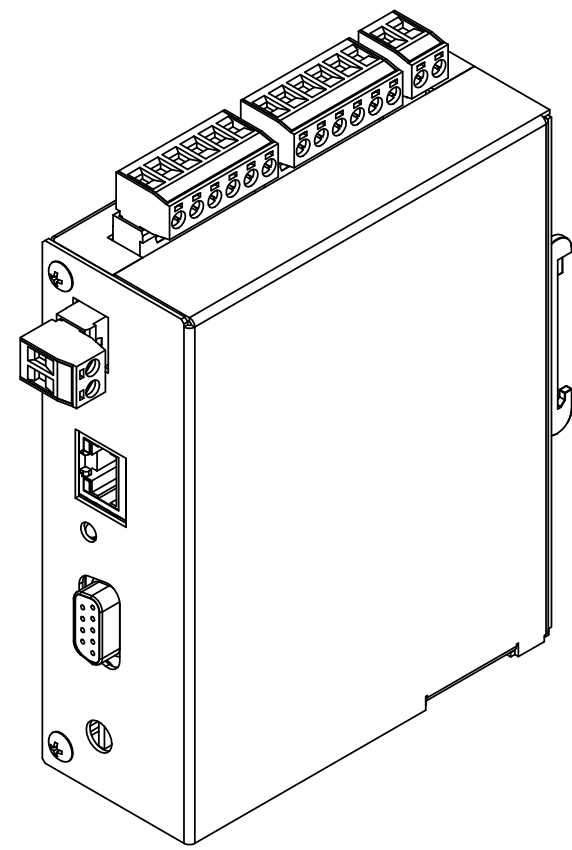
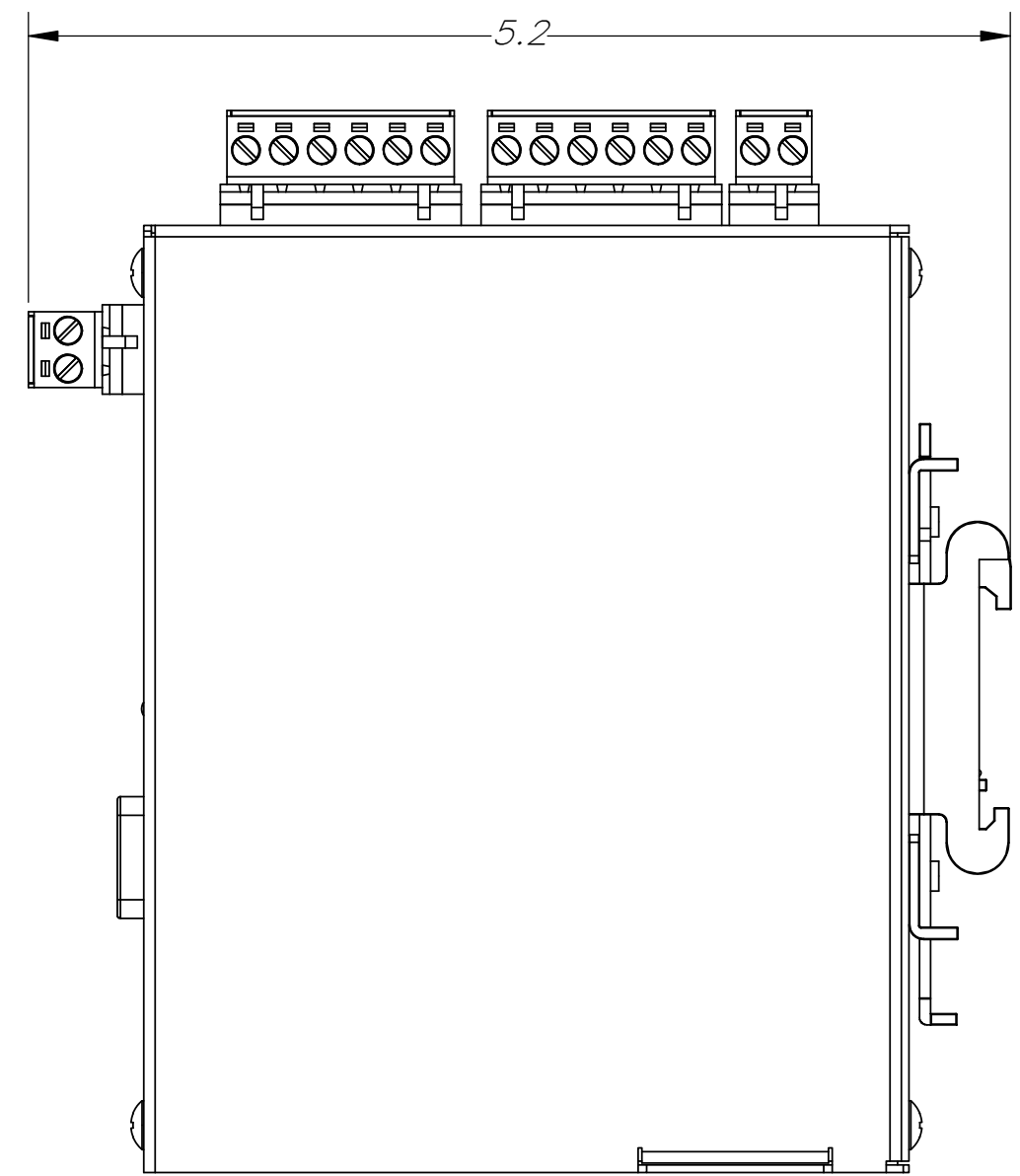
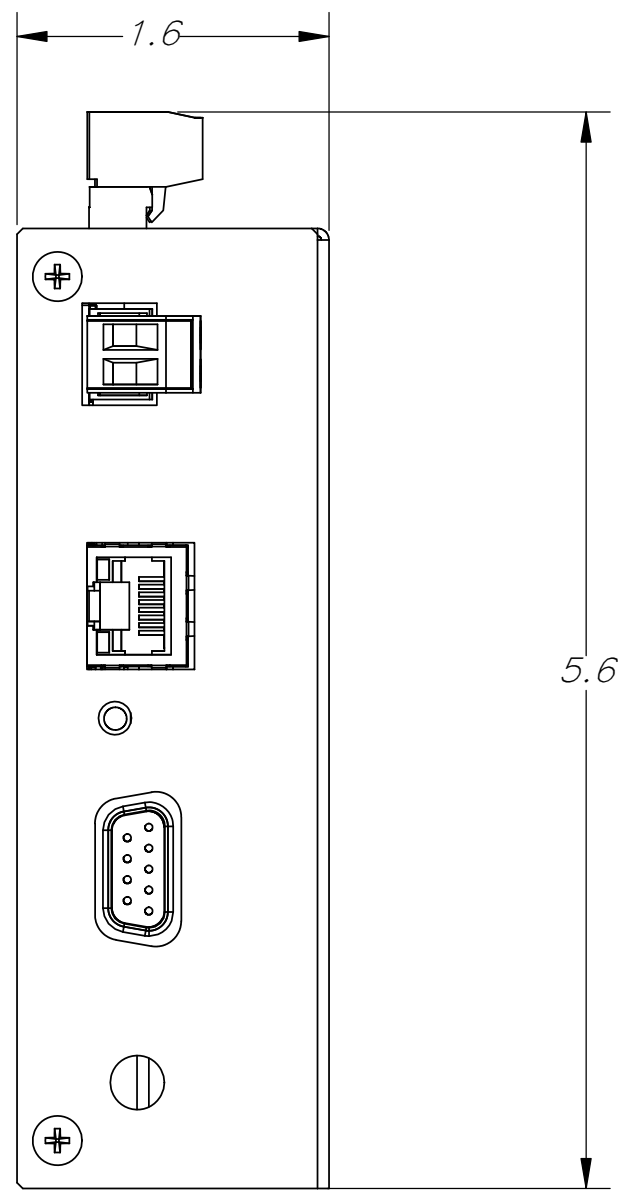
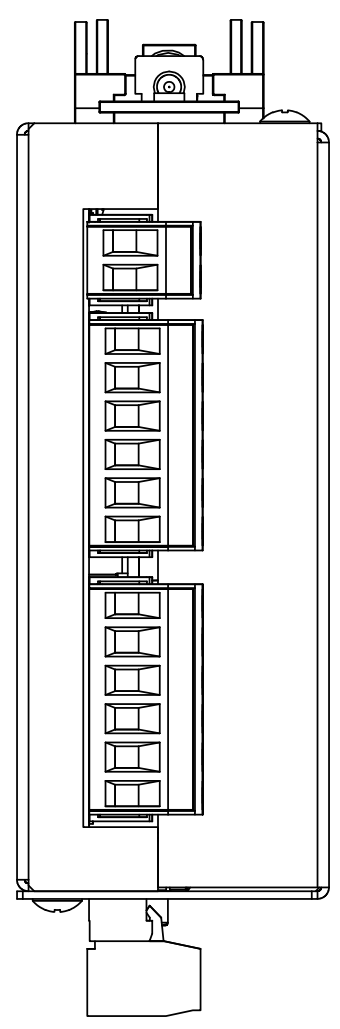


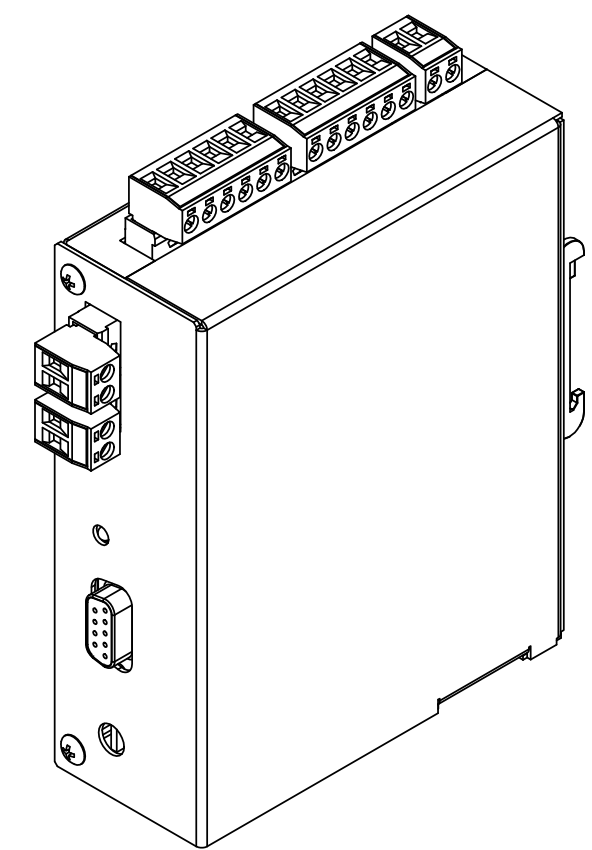
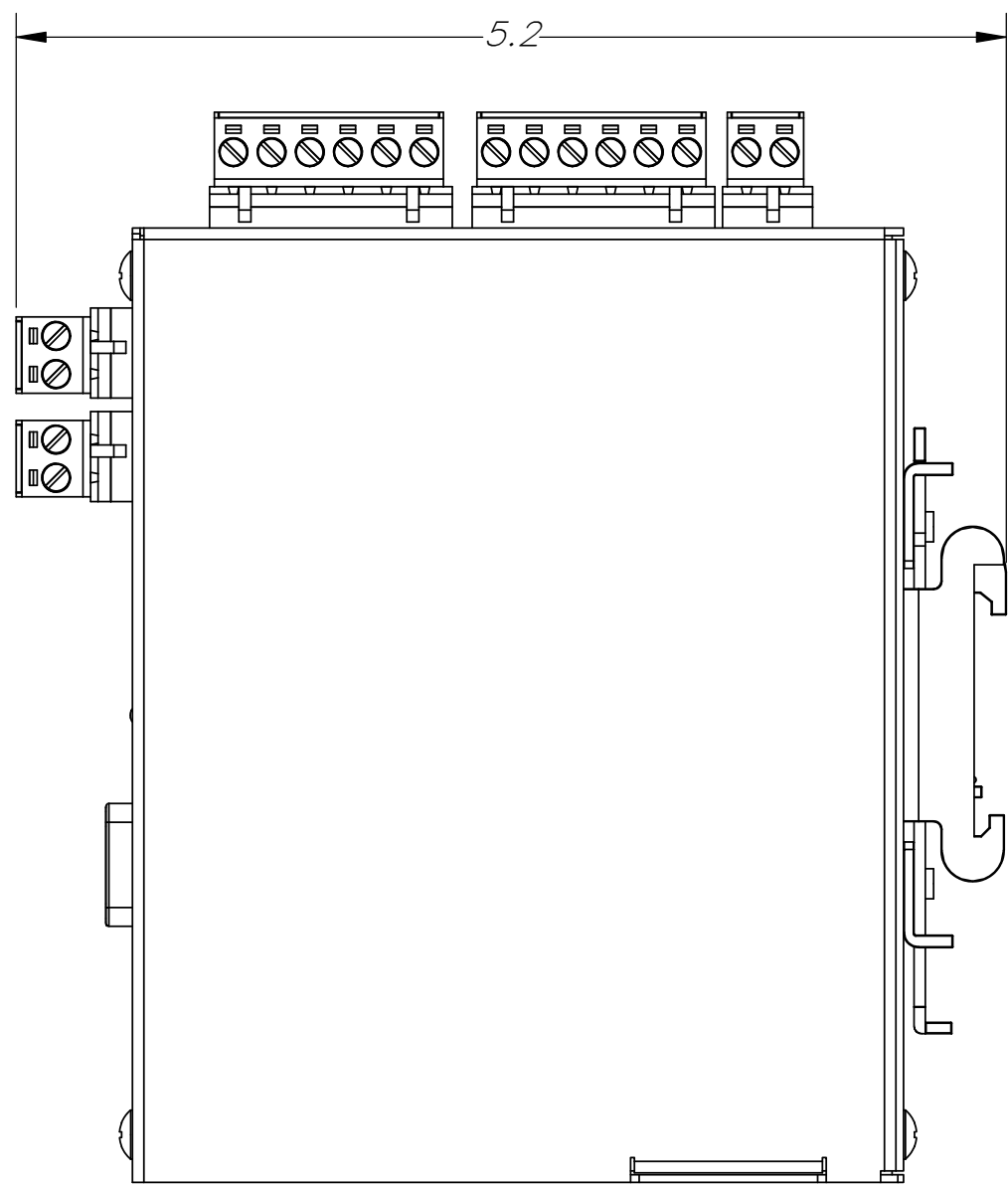
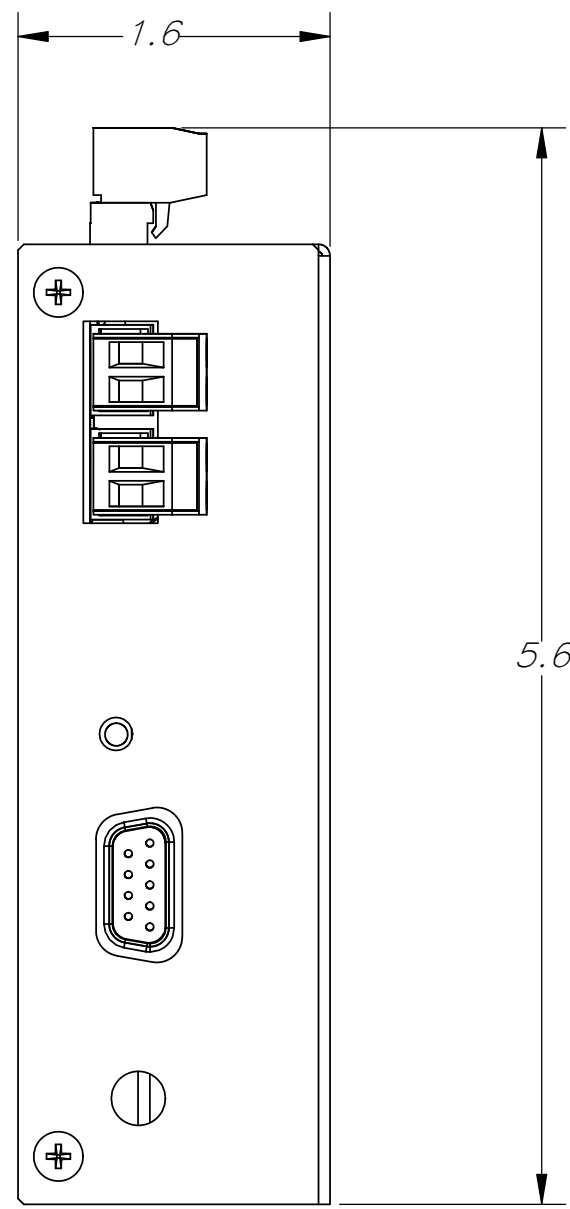
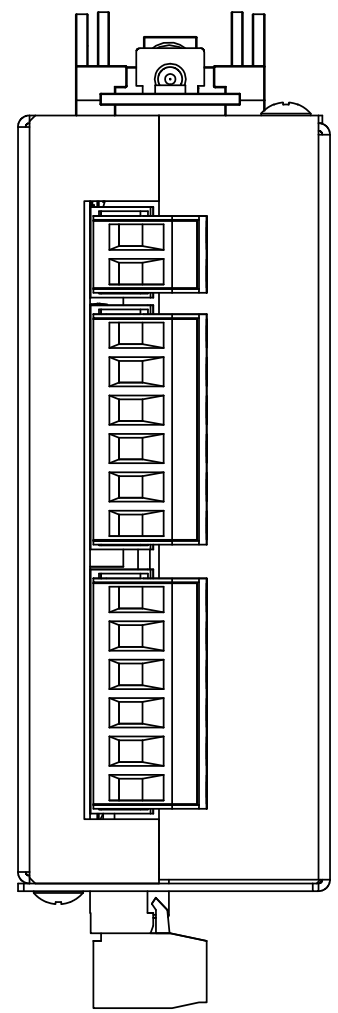
REVISIONS				
ZONE	REV.	DESCRIPTION	DATE	APPROVED



**PROPRIETARY AND CONFIDENTIAL**  
 THE INFORMATION CONTAINED IN THIS DRAWING IS THE SOLE PROPERTY OF SIGNALFIRE TELEMETRY. ANY REPRODUCTION IN PART OR AS A WHOLE WITHOUT THE WRITTEN PERMISSION OF SIGNALFIRE TELEMETRY IS PROHIBITED.

UNLESS OTHERWISE SPECIFIED:		NAME	DATE
DIMENSIONS ARE IN INCHES		DRAWN <i>R. GROUNDS</i>	<i>05/21/18</i>
TOLERANCES:		CHECKED <i>S. KELLER</i>	<i>XX/XX/XX</i>
FRACTIONAL $\pm 1/64$		ENG APPR. <i>S. KELLER</i>	<i>XX/XX/XX</i>
ANGULAR: MACH: 7° BEND $\pm 1/2^\circ$		MFG APPR. <i>S. KELLER</i>	<i>XX/XX/XX</i>
TWO PLACE DECIMAL $\pm .01$		Q.A. <i>S. KELLER</i>	<i>XX/XX/XX</i>
THREE PLACE DECIMAL $\pm .005$		COMMENTS:	
INTERPRET GEOMETRIC TOLERANCING PER:			
MATERIAL:			
FINISH:			
NEXT ASSY	USED ON		
APPLICATION	DO NOT SCALE DRAWING		

<b>SignalFire Telemetry</b>		
TITLE: <i>DIN GATEWAY II</i> <i>ETHERNET</i>		
SIZE <b>C</b>	DWG. NO. <b>965-0009-01</b>	REV <b>A</b>
SCALE: 1:2	WEIGHT:	SHEET 1 OF 2



PROPRIETARY AND CONFIDENTIAL  
 THE INFORMATION CONTAINED IN THIS  
 DRAWING IS THE SOLE PROPERTY OF  
 SIGNALFIRE TELEMETRY. ANY  
 REPRODUCTION IN PART OR AS A WHOLE  
 WITHOUT THE WRITTEN PERMISSION OF  
 SIGNALFIRE TELEMETRY IS  
 PROHIBITED.

<b>SignalFire Telemetry</b>		
TITLE: <i>DIN GATEWAY II</i> <i>RS485</i>		
SIZE <b>C</b>	DWG. NO. <b>965-0009-01</b>	REV <b>A</b>
SCALE: 1:1		SHEET 2 OF 2