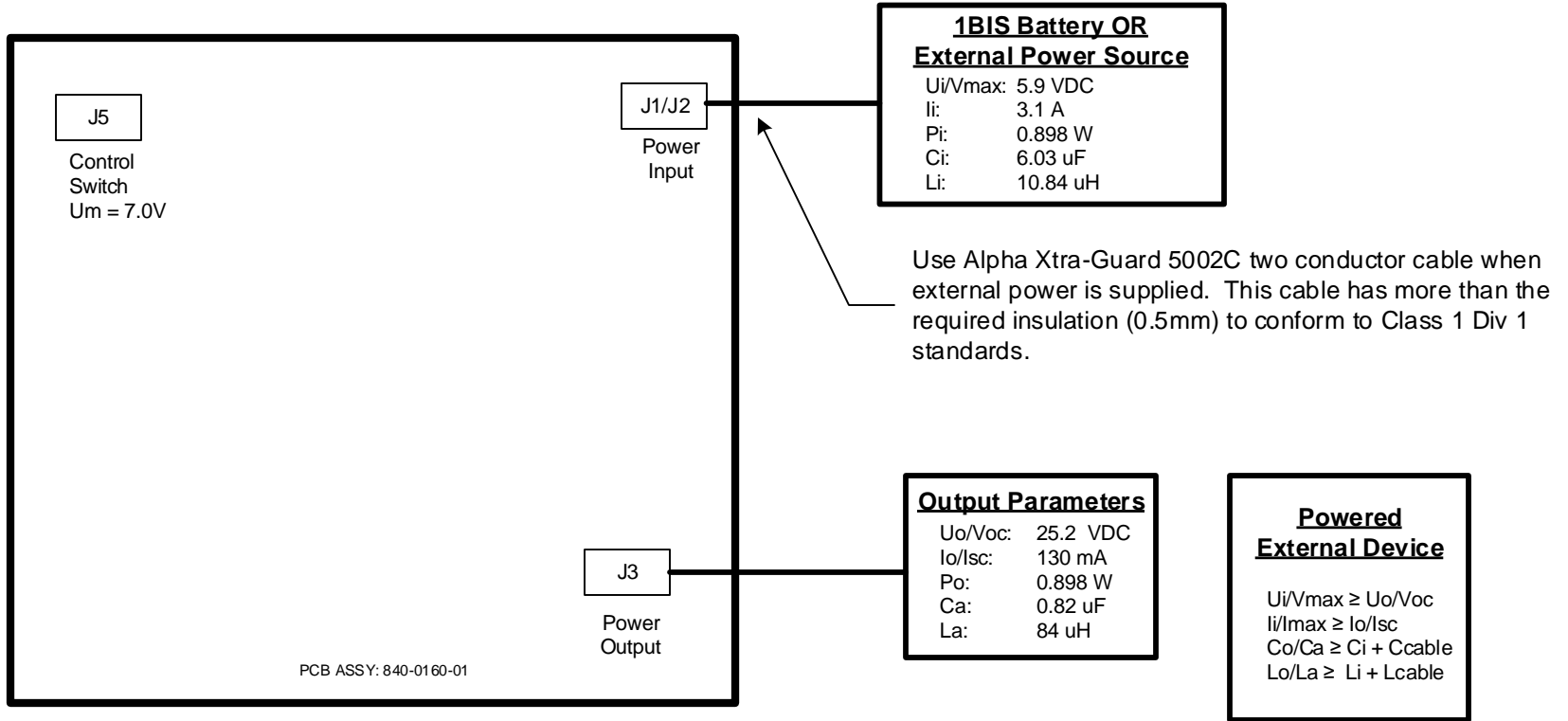


SignalFire PowerPAK

Model: PPAK-1BIS



Use Alpha Xtra-Guard 5002C two conductor cable when external power is supplied. This cable has more than the required insulation (0.5mm) to conform to Class 1 Div 1 standards.

Class I, Division 1, Groups C and D

Ambient Temperature Limit: -40C to +60C
Temperature Code: T4

- WARNING: Substitution of components may impair intrinsic safety.
- Choose peripheral devices and associated apparatuses such that the following conditions are met:
 $U_i/V_{max} \geq U_o/V_{oc}$
 $I_i/I_{max} \geq I_o/I_{sc}$
 $P_i \geq P_o$
 $C_o/C_a \geq C_i + C_{cable}$
 $L_o/L_a \geq L_i + L_{cable}$
- When replacing the internal battery, only use SignalFire lithium battery model number 810-0030-01 (1BIS)
- See SignalFire Instruction manual number 960-0096-01 for installation requirements

SignalFire Telemetry

Part Name	Control Drawing, PowerPAK	Date	03/28/19
Part Number	960-0093-01	Rev	1.3