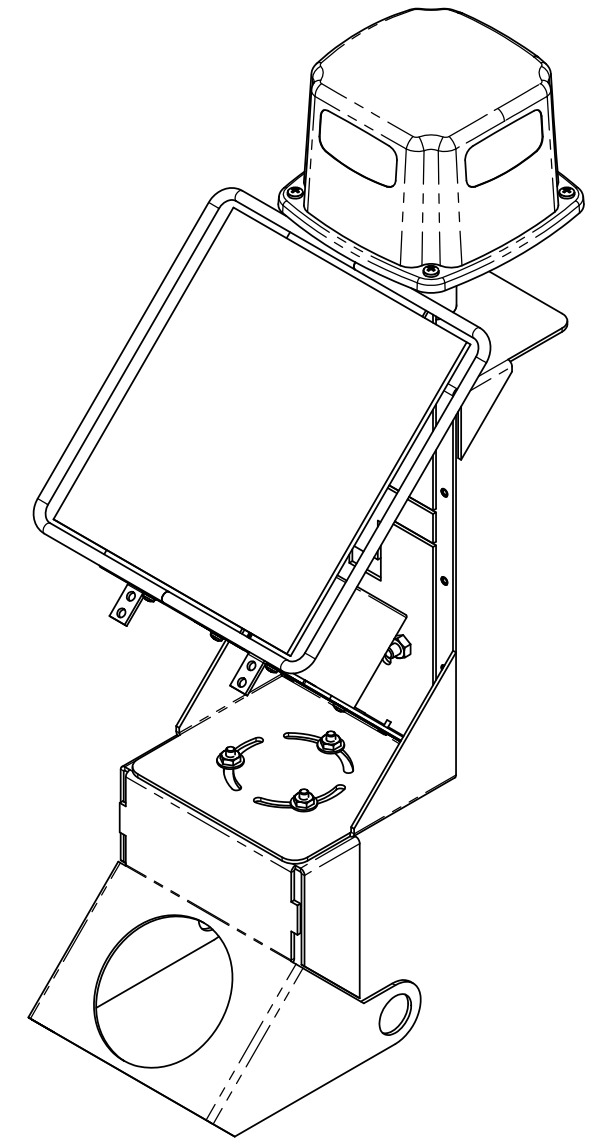
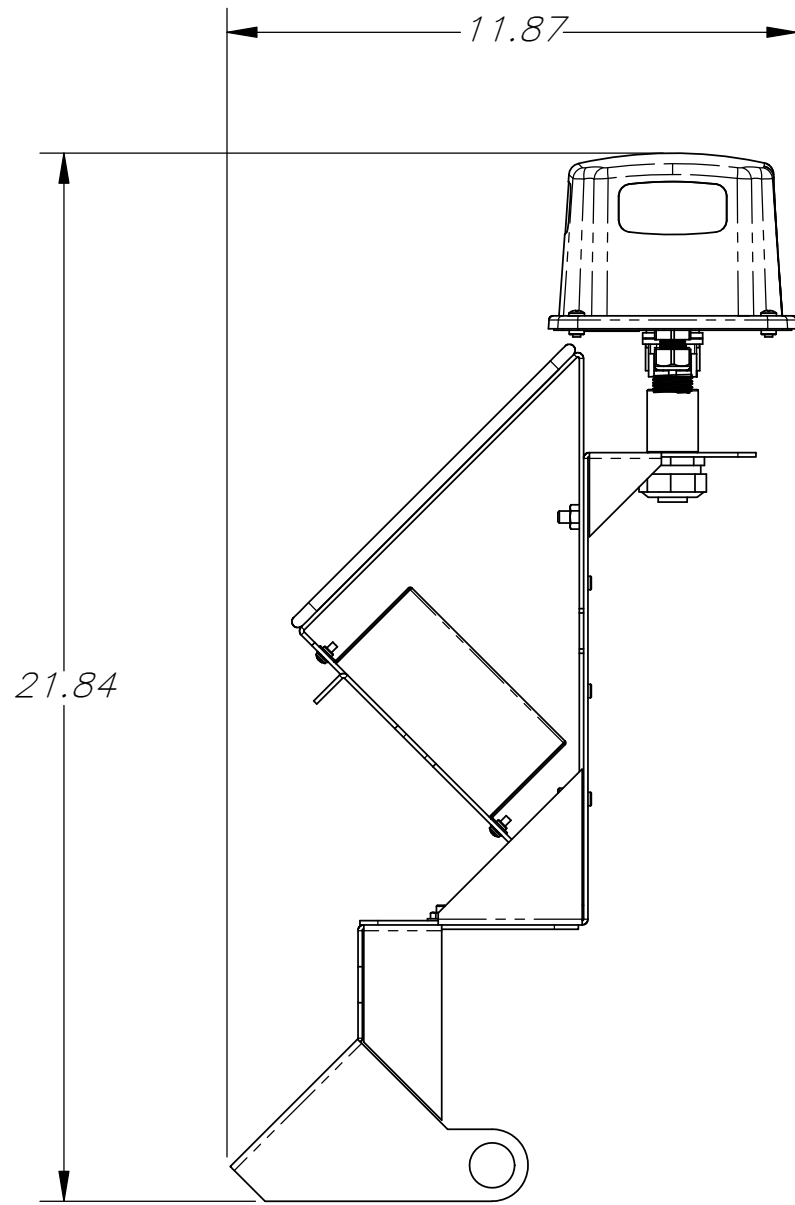
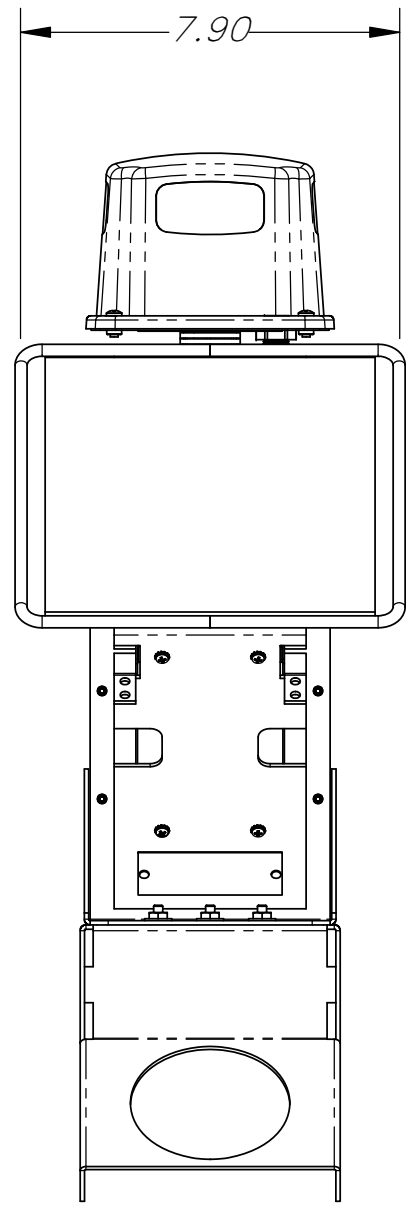
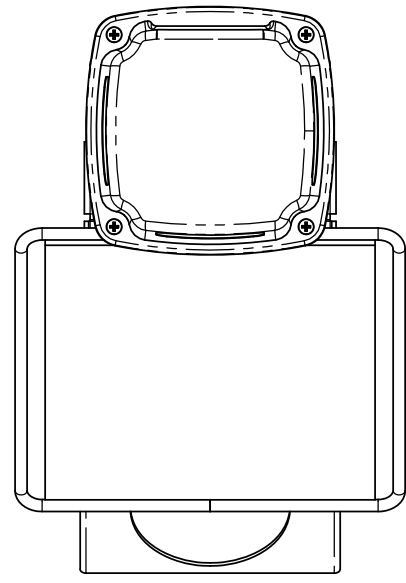


8 7 6 5 4 3 2 1

F E D C B A



PROPRIETARY AND CONFIDENTIAL
 THE INFORMATION CONTAINED IN THIS DRAWING IS THE SOLE PROPERTY OF SIGNALFIRE TELEMETRY. ANY REPRODUCTION IN PART OR AS A WHOLE WITHOUT THE WRITTEN PERMISSION OF SIGNALFIRE TELEMETRY IS PROHIBITED.

UNLESS OTHERWISE SPECIFIED:		NAME	DATE
DIMENSIONS ARE IN INCHES		DRAWN	R. GROUNDS 04/11/18
TOLERANCES:		CHECKED	S. KELLER XX/XX/XX
FRACTIONAL $\pm 1/64$		ENG APPR.	S. KELLER XX/XX/XX
ANGULAR: MACH: 7° BEND $\pm 1/2^{\circ}$		MFG APPR.	S. KELLER XX/XX/XX
TWO PLACE DECIMAL $\pm .01$		Q.A.	S. KELLER XX/XX/XX
THREE PLACE DECIMAL $\pm .005$		COMMENTS:	
INTERPRET GEOMETRIC TOLERANCING PER:			
MATERIAL:			
FINISH:			
NEXT ASSY	USED ON		
APPLICATION		DO NOT SCALE DRAWING	

SignalFire Telemetry		
TITLE: <i>SENTINEL-HCSOLAR ROSEMOUNT 5300 BRKT KIT</i>		
SIZE	DWG. NO.	REV
C	965-0007-01	A
SCALE: 1:4	WEIGHT:	SHEET 1 OF 1

8 7 6 5 4 3 2 1