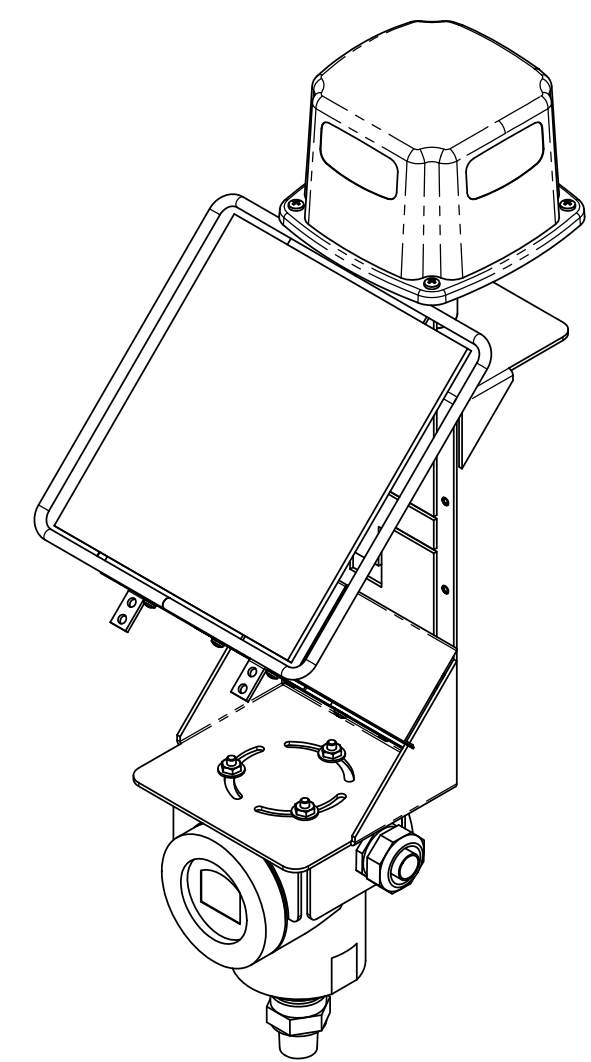
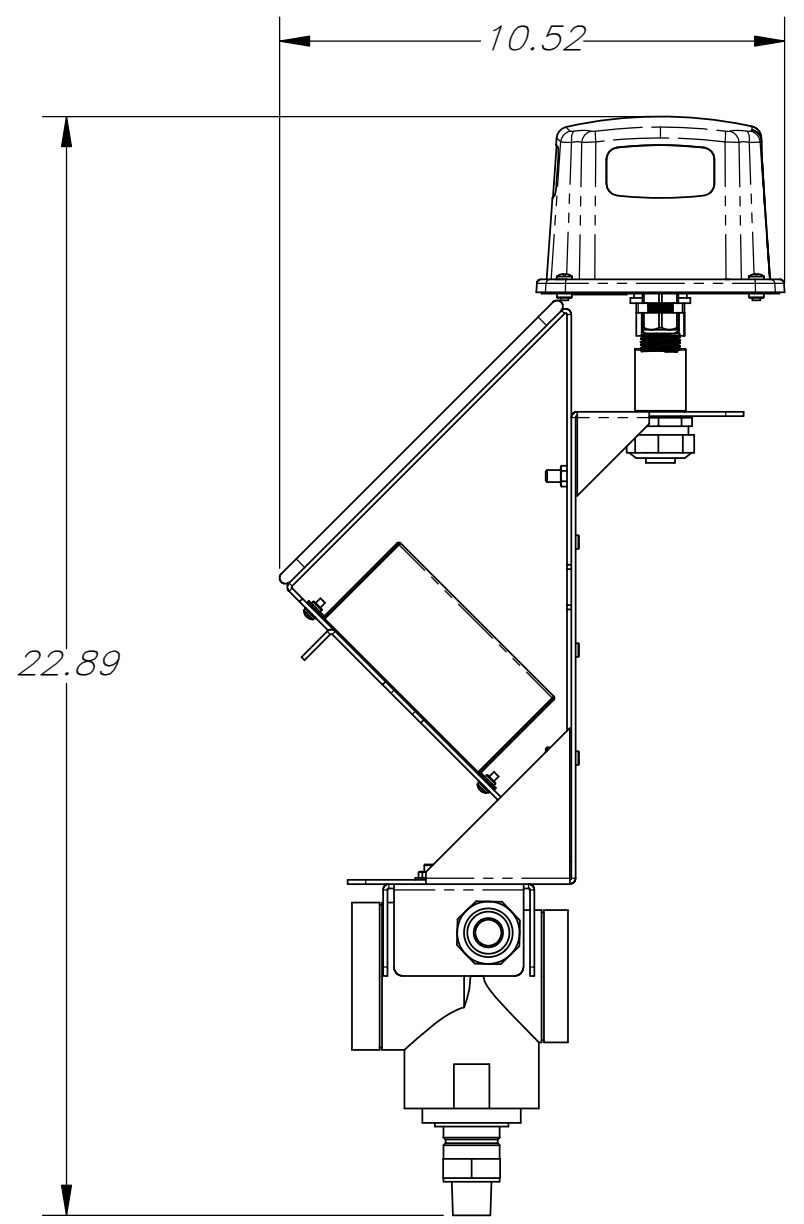
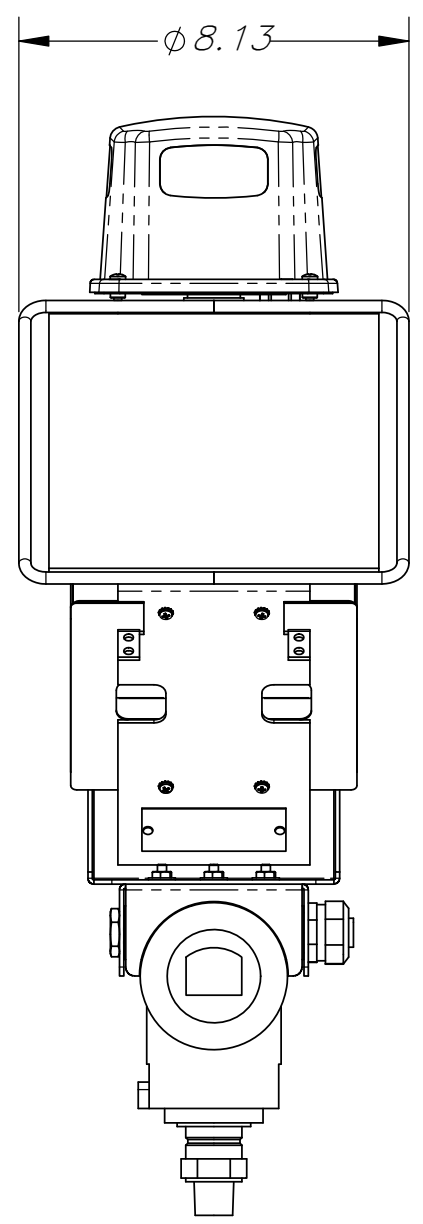
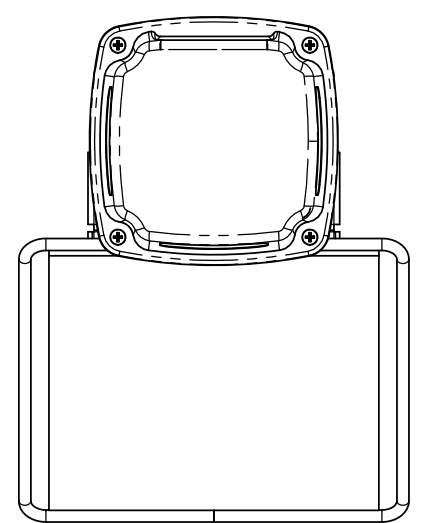


8 7 6 5 4 3 2 1

F E D C B A



PROPRIETARY AND CONFIDENTIAL
 THE INFORMATION CONTAINED IN THIS DRAWING IS THE SOLE PROPERTY OF SIGNALFIRE TELEMETRY. ANY REPRODUCTION IN PART OR AS A WHOLE WITHOUT THE WRITTEN PERMISSION OF SIGNALFIRE TELEMETRY IS PROHIBITED.

		UNLESS OTHERWISE SPECIFIED:	NAME	DATE
		DIMENSIONS ARE IN INCHES	DRAWN	R. GROUNDS 04/10/18
		TOLERANCES:	CHECKED	S. KELLER XX/XX/XX
		FRACTIONAL ± 1/64	ENG APPR.	S. KELLER XX/XX/XX
		ANGULAR: MACH ± 1/2°	MFG APPR.	S. KELLER XX/XX/XX
		TWO PLACE DECIMAL ± .01	Q.A.	S. KELLER XX/XX/XX
		THREE PLACE DECIMAL ± .005	COMMENTS:	
		INTERPRET GEOMETRIC TOLERANCING PER:		
		MATERIAL:		
		FINISH:		
NEXT ASSY	USED ON	APPLICATION		
		DO NOT SCALE DRAWING		

SignalFire Telemetry		
TITLE: <i>SENTINEL-HCSOLAR YOKOGAWA EJA BRKT KIT</i>		
SIZE	DWG. NO.	REV
C	965-0006-01	A
SCALE: 1:4	WEIGHT:	SHEET 1 OF 1

8 7 6 5 4 3 2 1