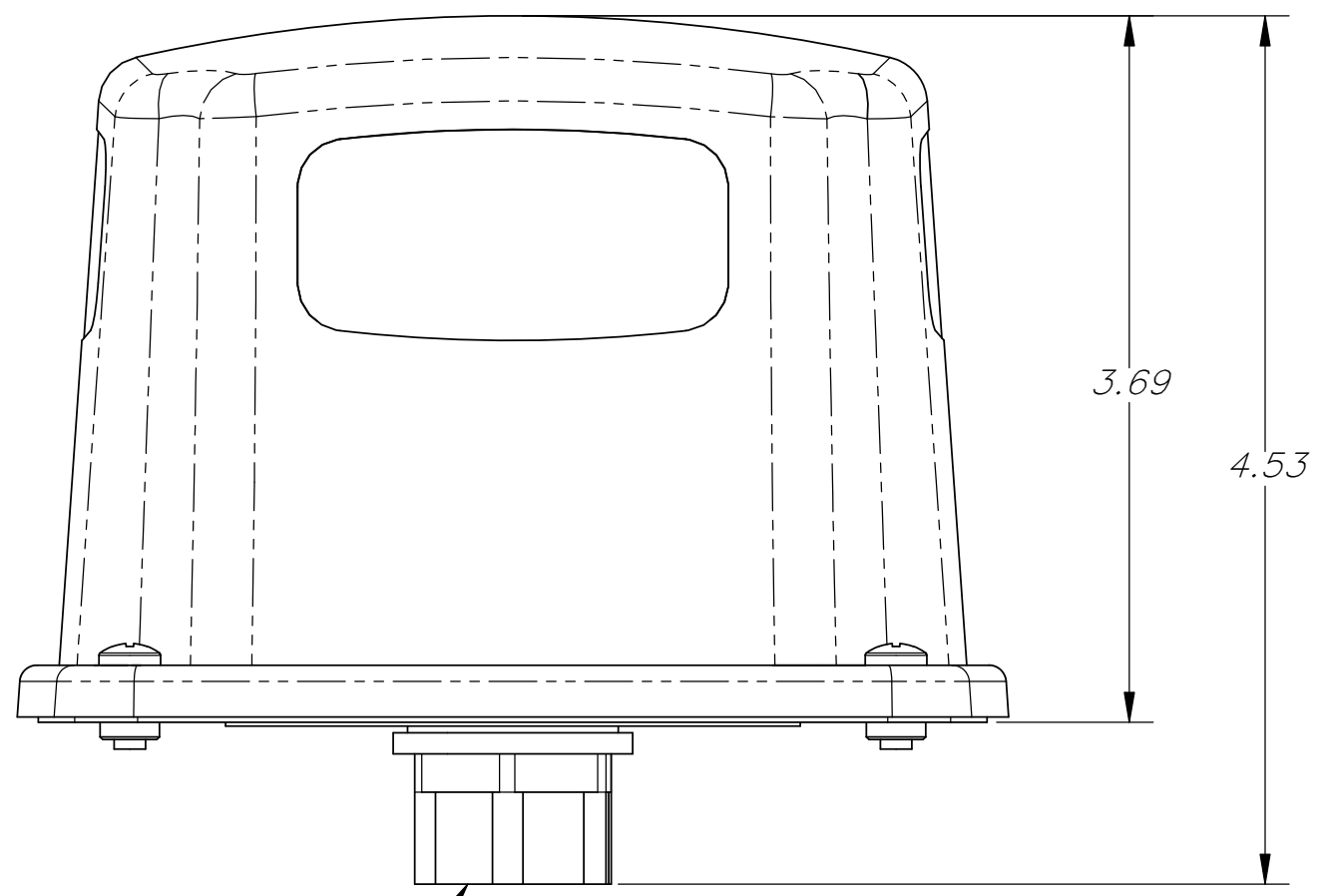
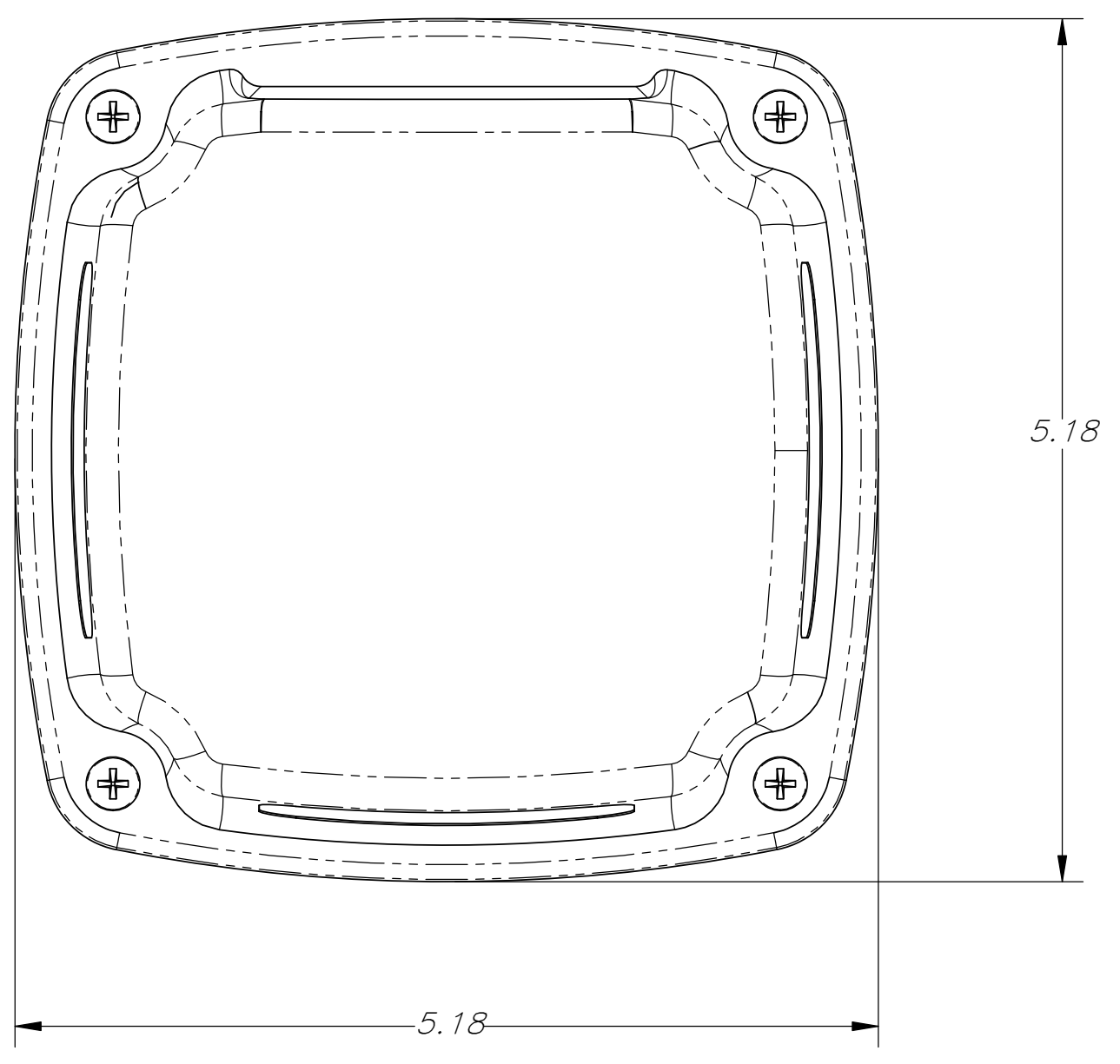
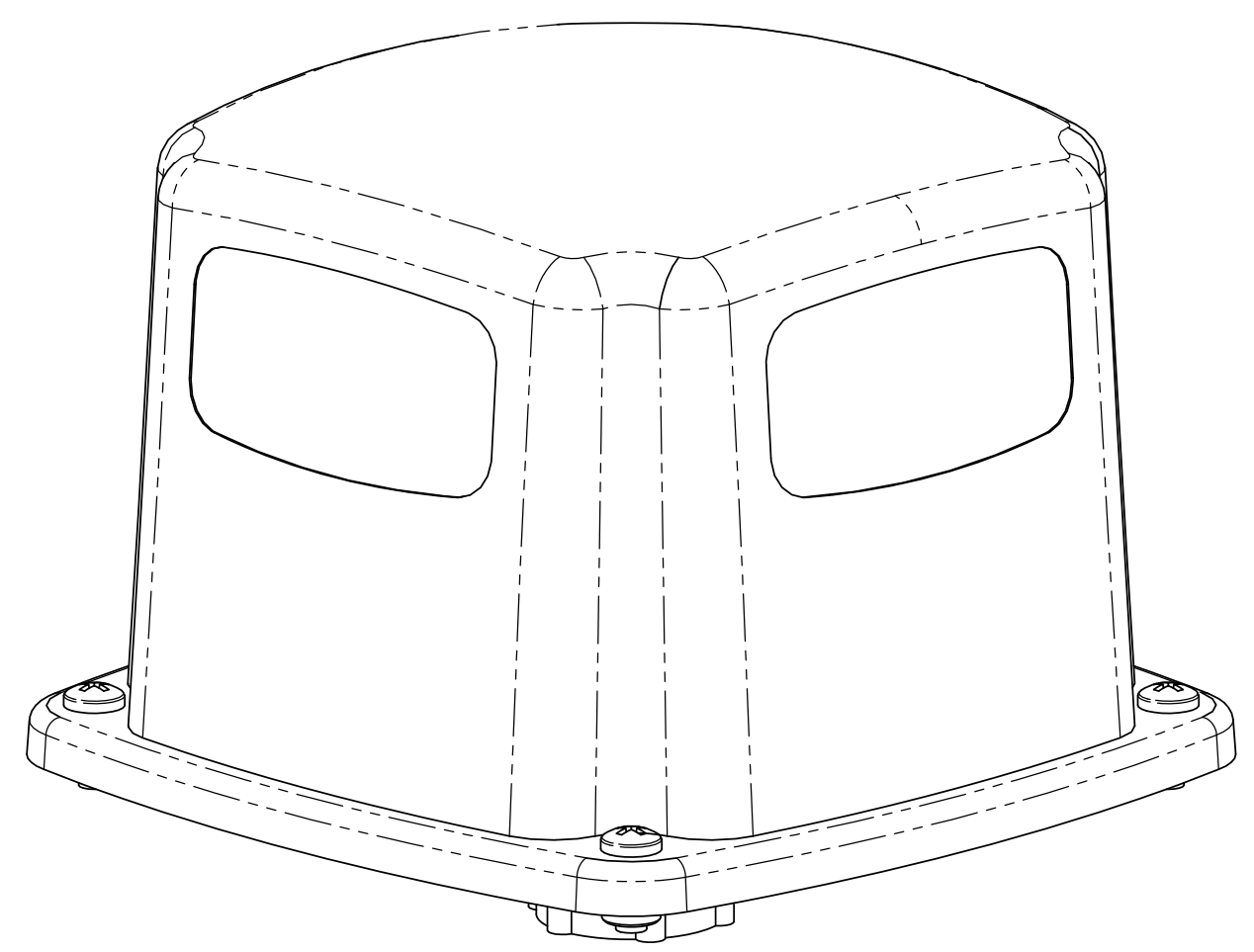


REVISIONS				
ZONE	REV.	DESCRIPTION	DATE	APPROVED



1/2" NPT FEMALE



**PROPRIETARY AND CONFIDENTIAL**  
 THE INFORMATION CONTAINED IN THIS DRAWING IS THE SOLE PROPERTY OF SIGNALFIRE TELEMETRY. ANY REPRODUCTION IN PART OR AS A WHOLE WITHOUT THE WRITTEN PERMISSION OF SIGNALFIRE TELEMETRY IS PROHIBITED.

		UNLESS OTHERWISE SPECIFIED:	NAME	DATE
		DIMENSIONS ARE IN INCHES	DRAWN	R. GROUNDS 09/25/17
		TOLERANCES:	CHECKED	S. KELLER XX/XX/XX
		FRACTIONAL ± 1/64	ENG APPR.	S. KELLER XX/XX/XX
		ANGULAR: MACH ± 1/2°	MFG APPR.	S. KELLER XX/XX/XX
		TWO PLACE DECIMAL ± .01	Q.A.	S. KELLER XX/XX/XX
		THREE PLACE DECIMAL ± .005	COMMENTS:	
		INTERPRET GEOMETRIC TOLERANCING PER:		
		MATERIAL:		
		FINISH:		
NEXT ASSY	USED ON	APPLICATION		
		DO NOT SCALE DRAWING		

<b>SignalFire Telemetry</b>		
TITLE: <i>SENTINEL WIRELESS NODE</i>		
SIZE <b>C</b>	DWG. NO. <b>965-0001-01</b>	REV <b>A</b>
SCALE: 1:1	WEIGHT:	SHEET 1 OF 1