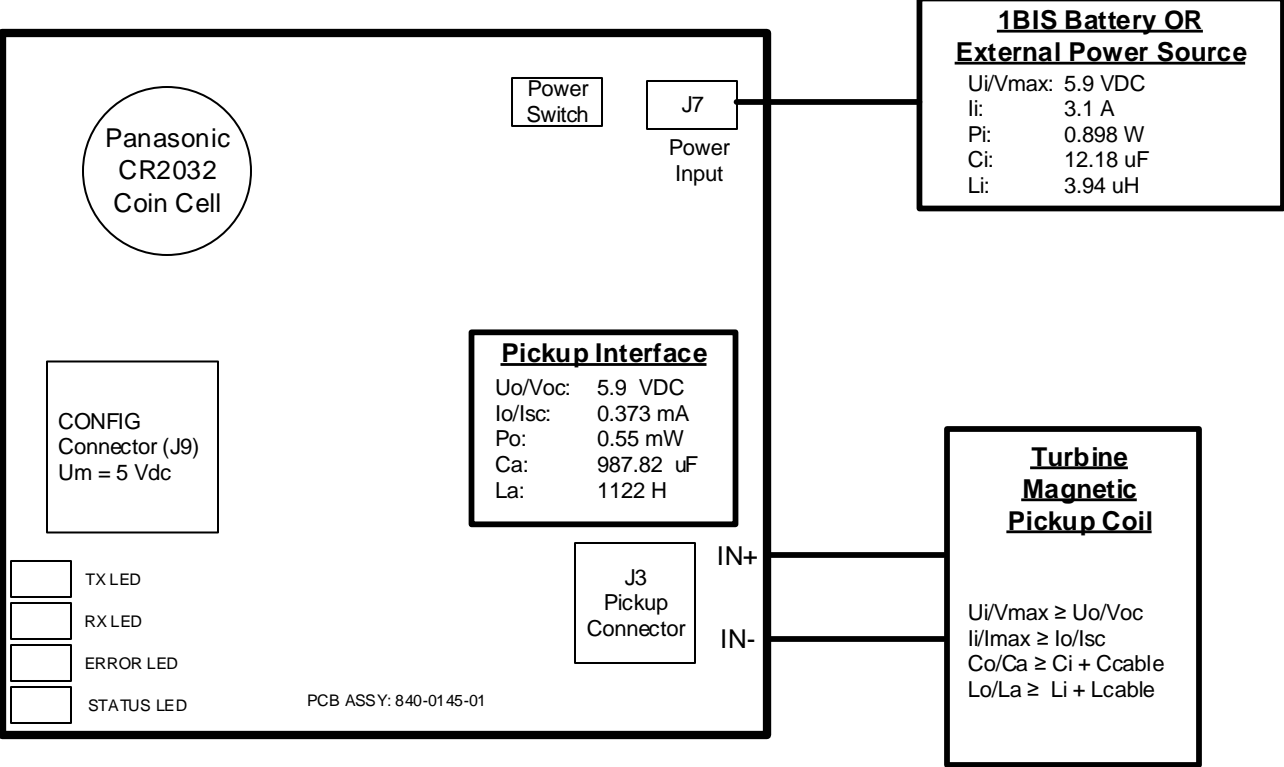


# SignalFire Flow Totalizer

## Model: SFTotalizer-1BIS



<h1>SignalFire Telemetry</h1>	
Part Name Control Drawing, Flow Totalizer	Date 8/15/17
Part Number 960-0087-01	Rev 2.1
Page 1 of 1	

<b>Class I, Division 1, Groups C and D</b>	<b>Ambient Temperature Limit: -40C to +60C</b> <b>Temperature Code: T3</b>
<ul style="list-style-type: none"> <li>• <b>WARNING:</b> Substitution of components may impair intrinsic safety.</li> <li>• Choose peripheral devices and associated apparatuses such that the following conditions are met:  <math>U_i/V_{max} \geq U_o/V_{oc}</math>  <math>I_i/I_{max} \geq I_o/I_{sc}</math>  <math>P_i \geq P_o</math>  <math>C_o/C_a \geq C_i + C_{cable}</math>  <math>L_o/L_a \geq L_i + L_{cable}</math></li> <li>• <b>When replacing the internal battery, only use SignalFire lithium battery model number 810-0030-01</b></li> <li>• <b>When replacing the Coin Cell battery, only use a Panasonic CR2032 battery</b></li> <li>• <b>See SignalFire Instruction manual number 960-0085-01 for installation requirements</b></li> </ul>	