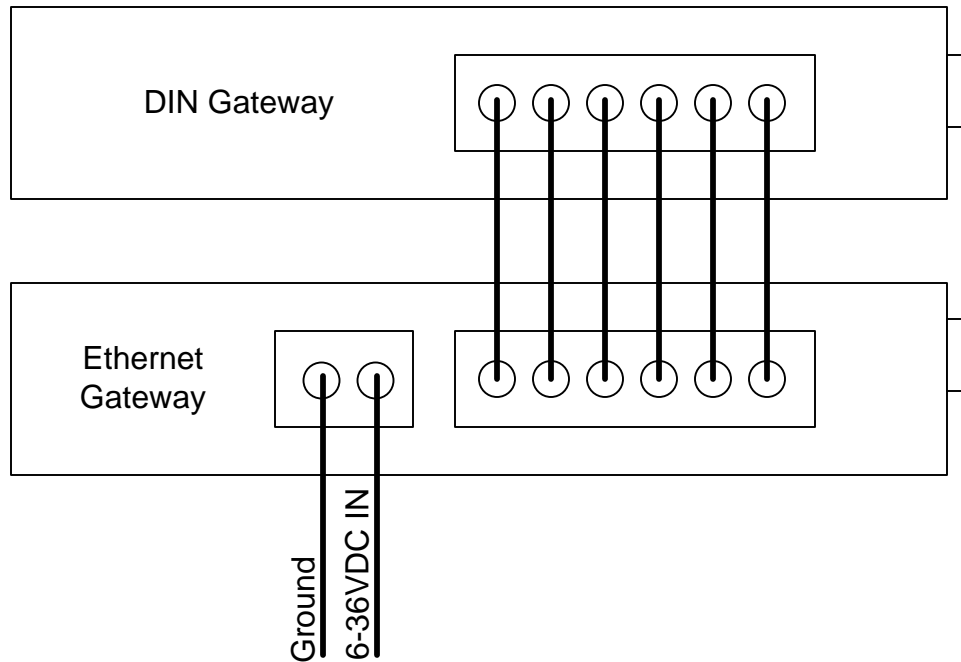


SignalFire DIN Gateway with Ethernet Gateway Module

Top View



Must use RS232 DB9 Port on Ethernet Gateway for configuration via the SignalFire Toolkit

SignalFire Telemetry

Part Name	DIN Gateway with Ethernet GW	Date	10/6/15
Part Number	960-0074-01	Rev	A
Material			