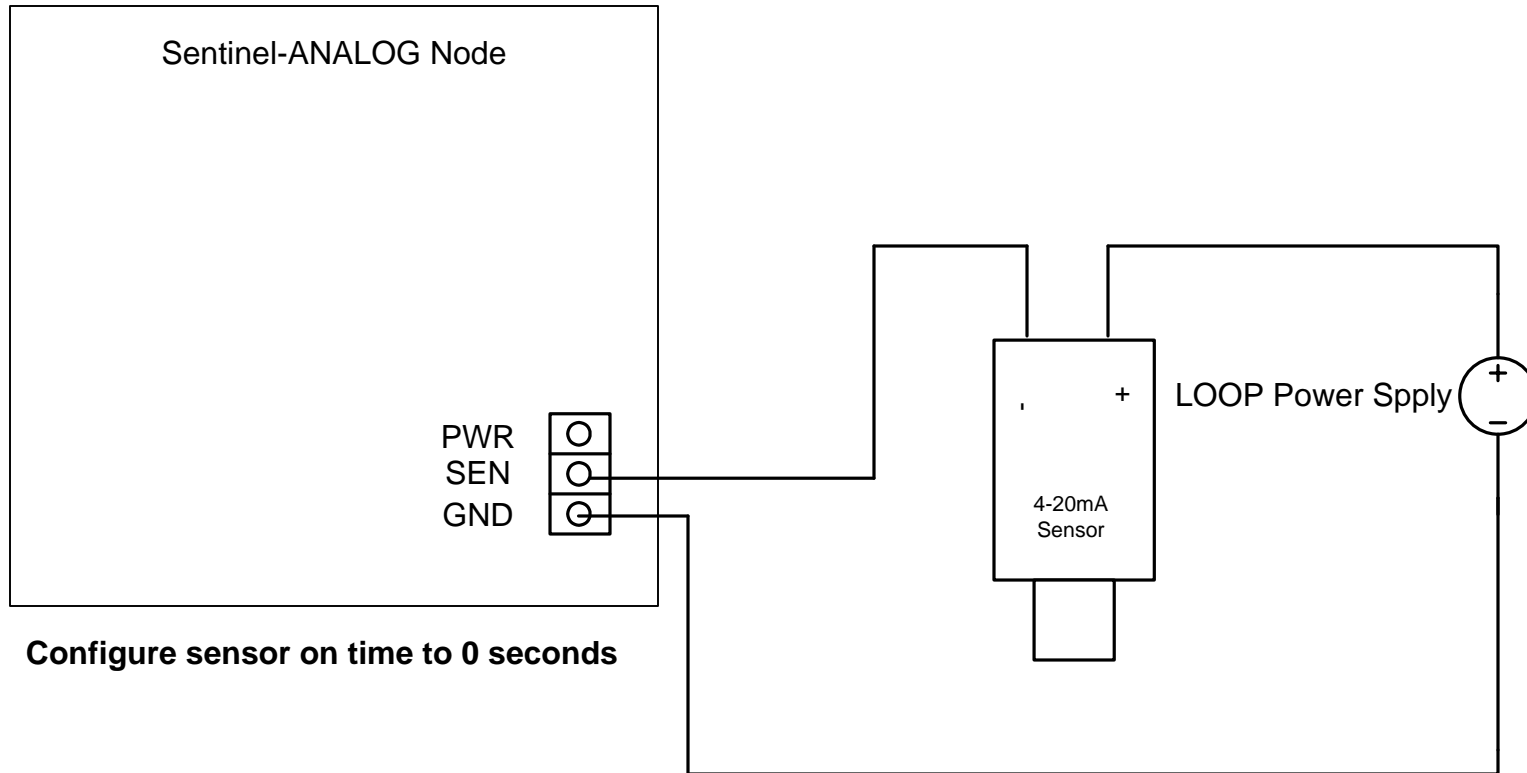


SignalFire Sentinel-ANALOG 4-20mA External Sensor Power Wiring Diagram



SignalFire Telemetry

Part Name	Sentinel-ANALOG External Power	Date	11/25/13
Part Number		Rev	A
Material			



System is not Intrinsically Safe in this configuration