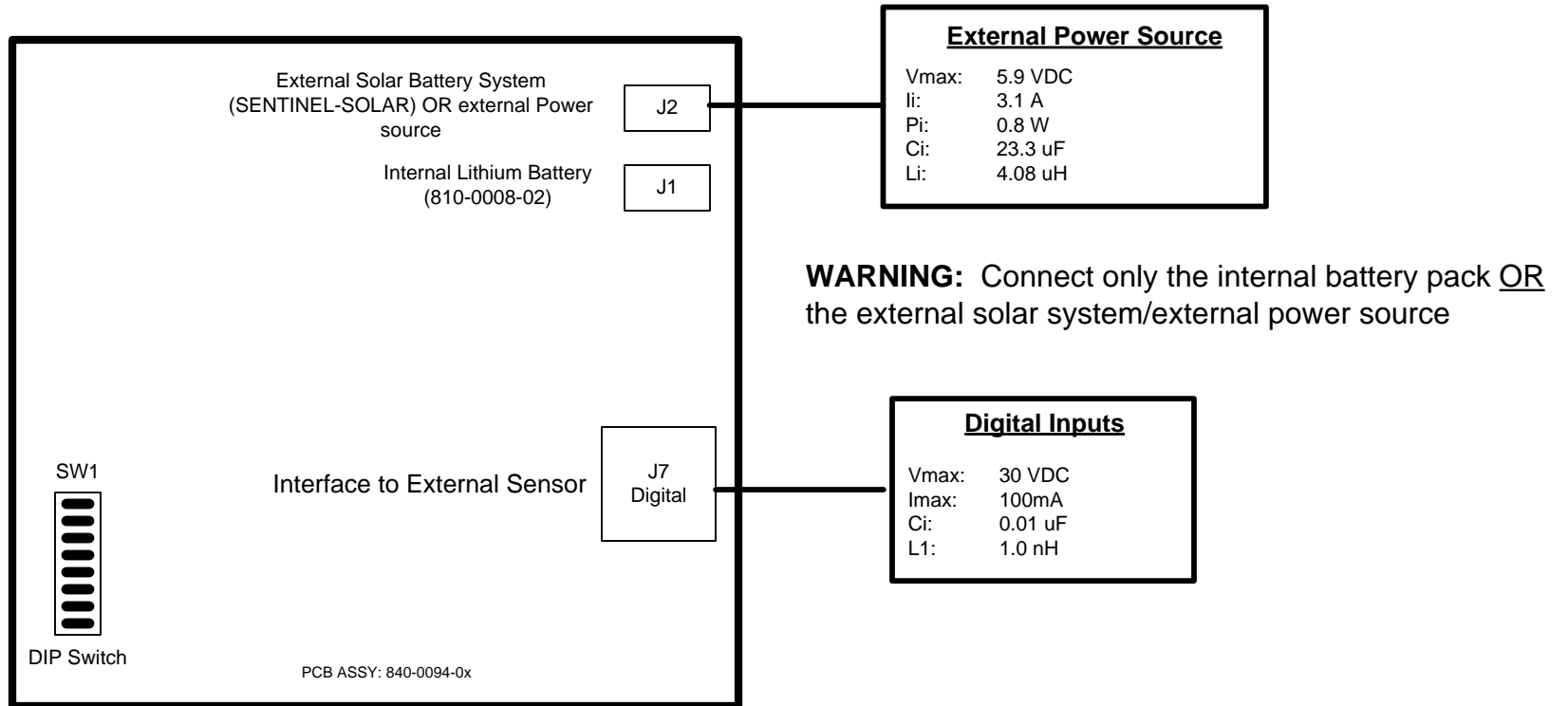


SignalFire Sentinel Digital Input Interface

Model: SENTINEL-DI-XXXX



Class I, Division 1, Groups C and D

Ambient Temperature Limit: -40C to +60C
Temperature Code: T3

- **WARNING:** Substitution of components may impair intrinsic safety.
- Choose peripheral devices and associated apparatuses such that the following conditions are met:
 $U_i/V_{max} \geq U_o/V_{oc}$
 $I_i/I_{max} \geq I_o/I_{sc}$
 $P_i \geq P_o$
 $C_o/C_a \geq C_i + C_{cable}$
 $L_o/L_a \geq L_i + L_{cable}$

- **When replacing the internal battery, only use SignalFire lithium battery model number 810-0008-02**
- **See SignalFire Instruction manual number 960-0034-01 for installation requirements**
- **Install the internal battery pack only when external power is not used**

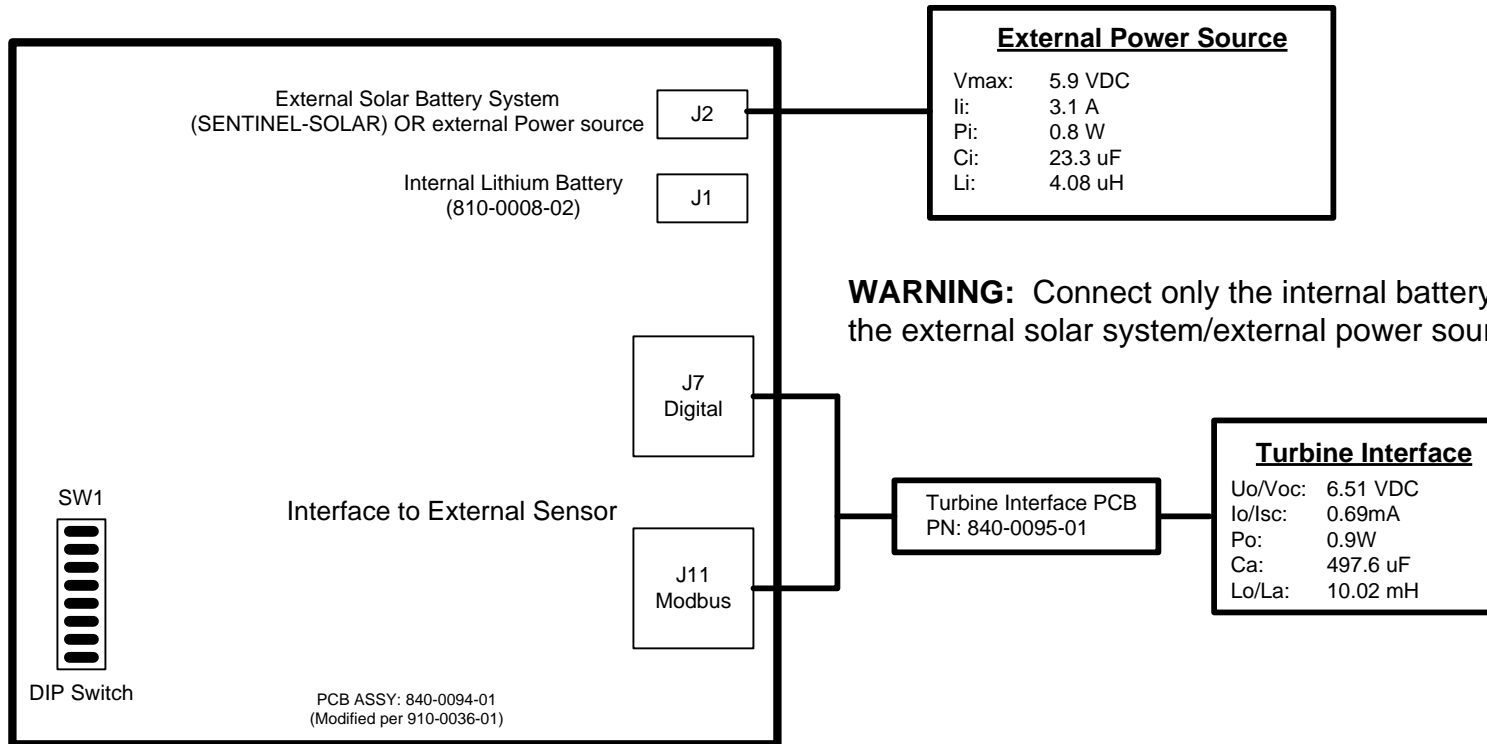
SignalFire Telemetry

Part Name	Control Drawing, Sentinel Digital Input Interface	Date	6/24/15
-----------	---	------	---------

Part Number	960-0028-01	Rev	2.3
-------------	-------------	-----	-----

SignalFire Sentinel Digital with Turbine Interface

Model: SENTINEL-TURBINE-XXXX



Class I, Division 1, Groups C and D

Ambient Temperature Limit: -40C to +60C
Temperature Code: T3

SignalFire Telemetry

Part Name	Control Drawing, Sentinel Digital with turbine Interface	Date	6/24/15
Part Number	960-0028-01	Rev	2.3

- WARNING: Substitution of components may impair intrinsic safety.
- Choose peripheral devices and associated apparatuses such that the following conditions are met:
 $U_i/V_{max} \geq U_o/V_{oc}$
 $I_i/I_{max} \geq I_o/I_{sc}$
 $P_i \geq P_o$
 $C_o/C_a \geq C_i + C_{cable}$
 $L_o/L_a \geq L_i + L_{cable}$

- **When replacing the internal battery, only use SignalFire lithium battery model number 810-0008-02**
- **See SignalFire Instruction manual number 960-0060-01 for installation requirements**
- **Install the internal battery pack only when external power is not used**